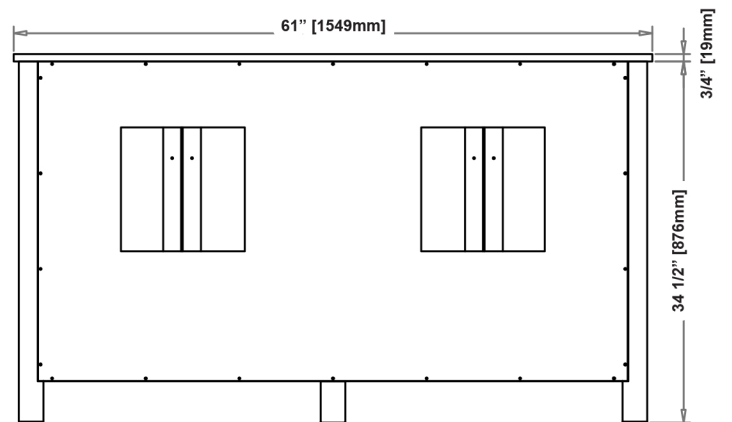
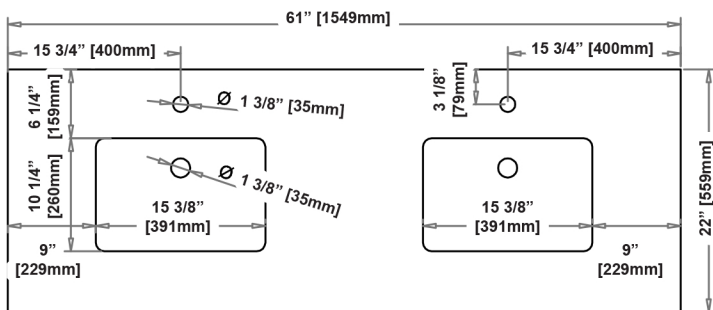
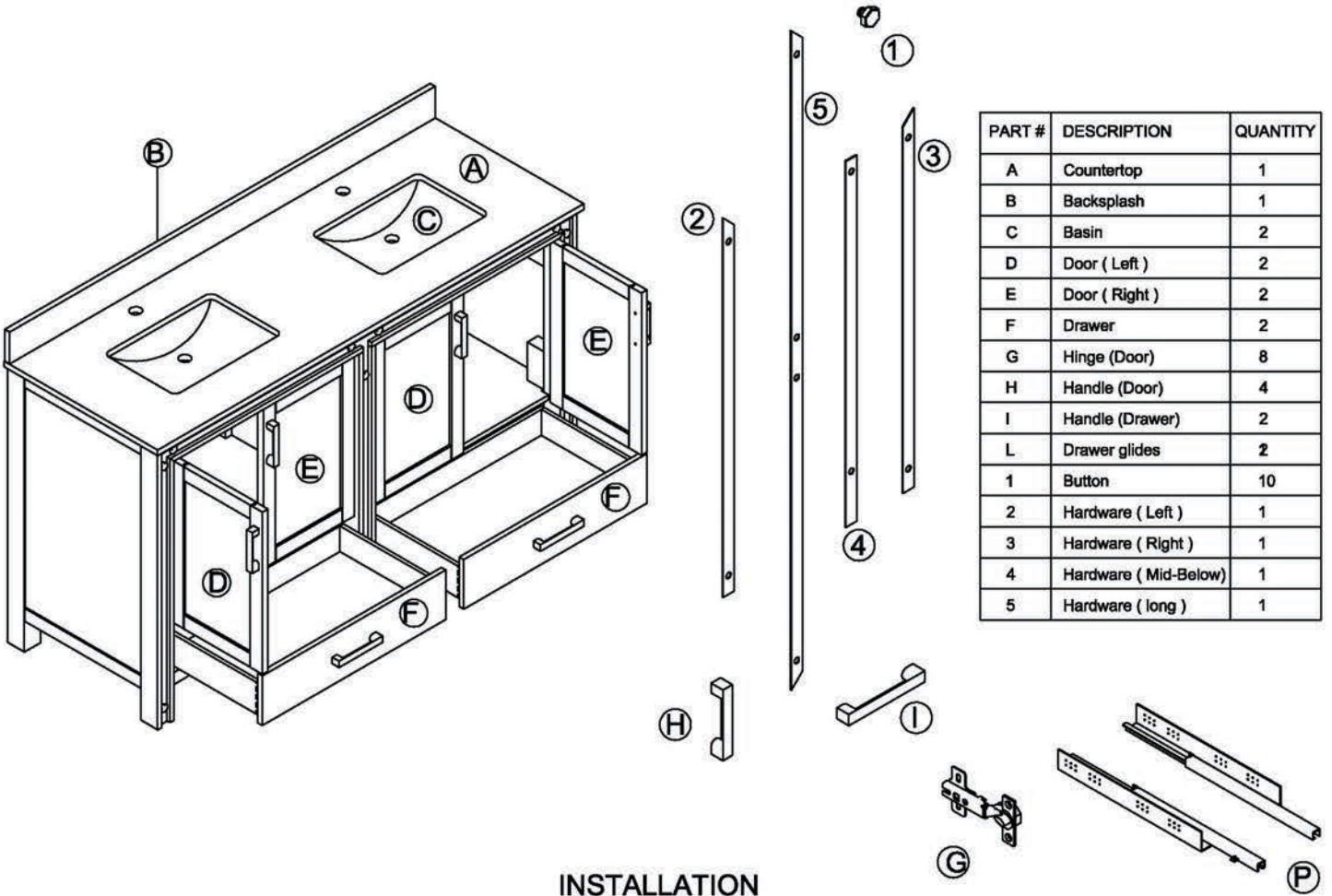


## DIMENSIONS

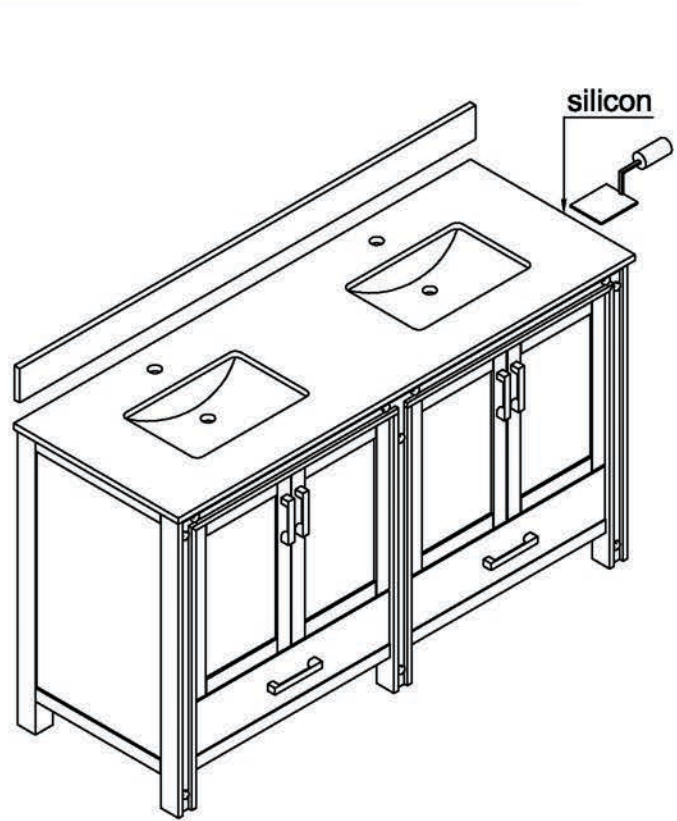
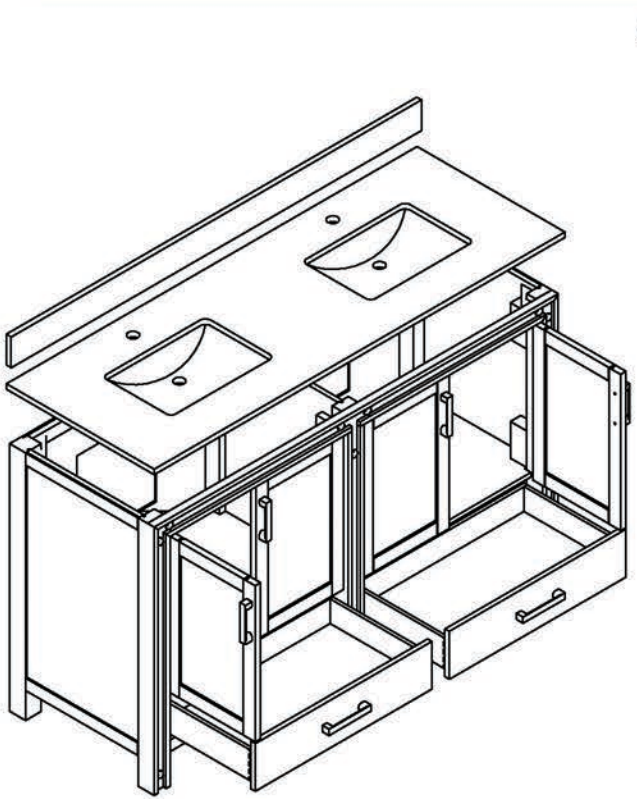


# PART LIST

#1



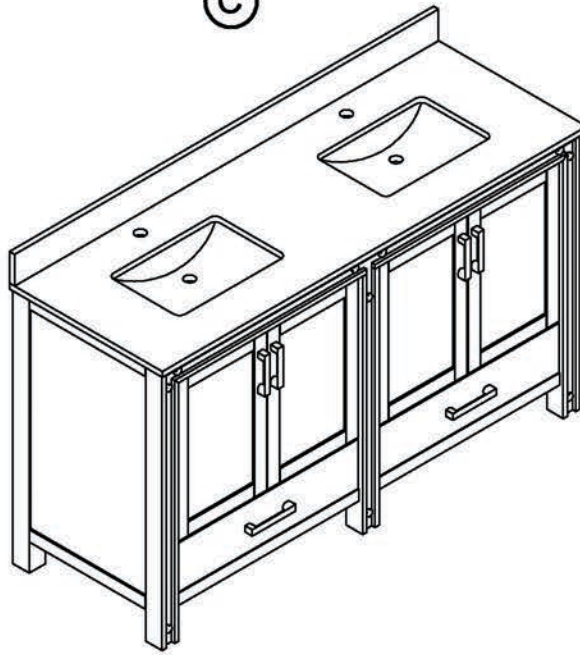
## INSTALLATION



# INSTALLATION

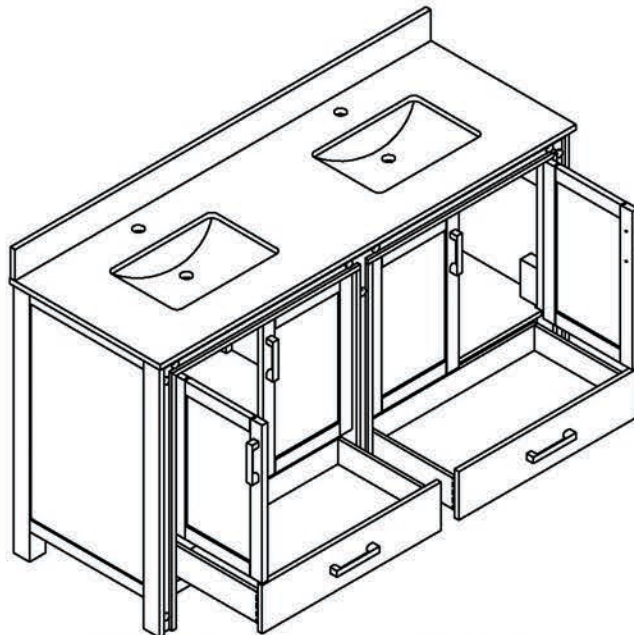
#1

(C)



# DRAWER

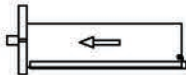
#2



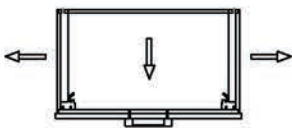
REMOVE

INSTALL

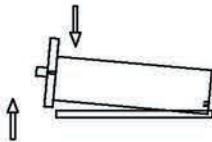
1



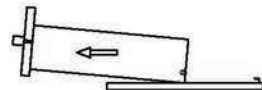
2



3



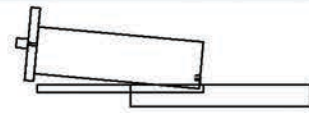
4



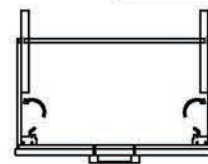
(B)

(C)

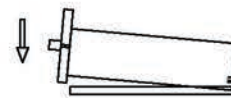
1



2



3



4

