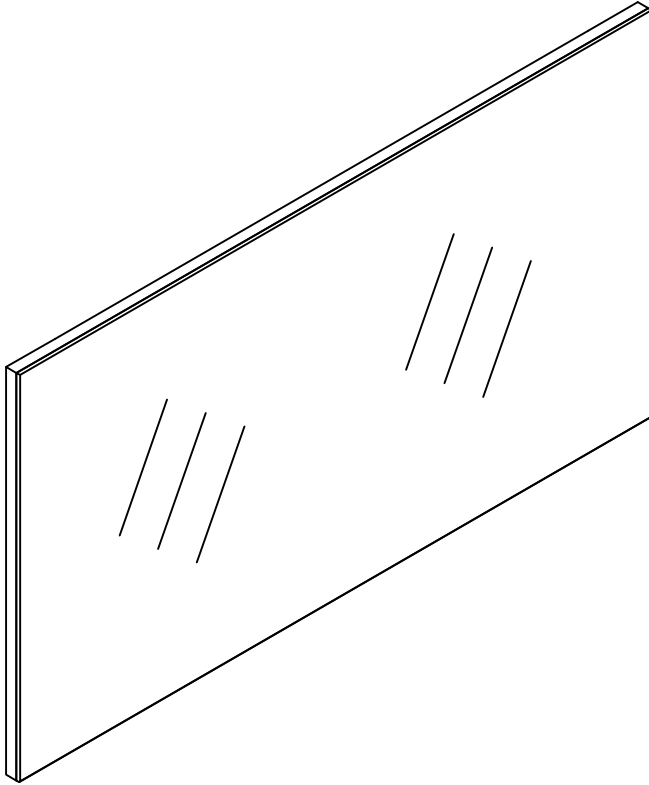
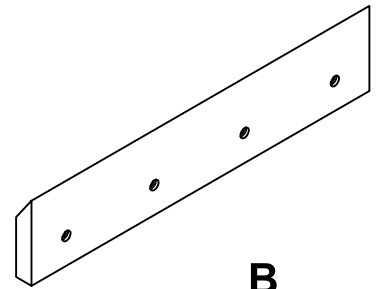


PART	DESCRIPTIONS	QUANTITY
A	Mirror	1
B	Cleat Wood	2
	<b>HARDWARE</b>	
C	Crew	8
D	Plastic Plug	8

## PART LIST

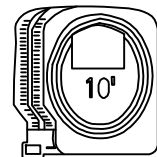
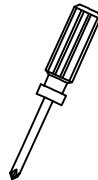
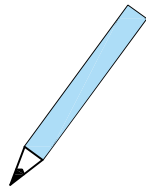
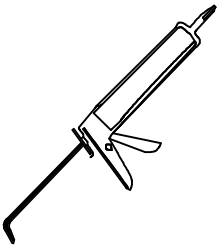


**A**



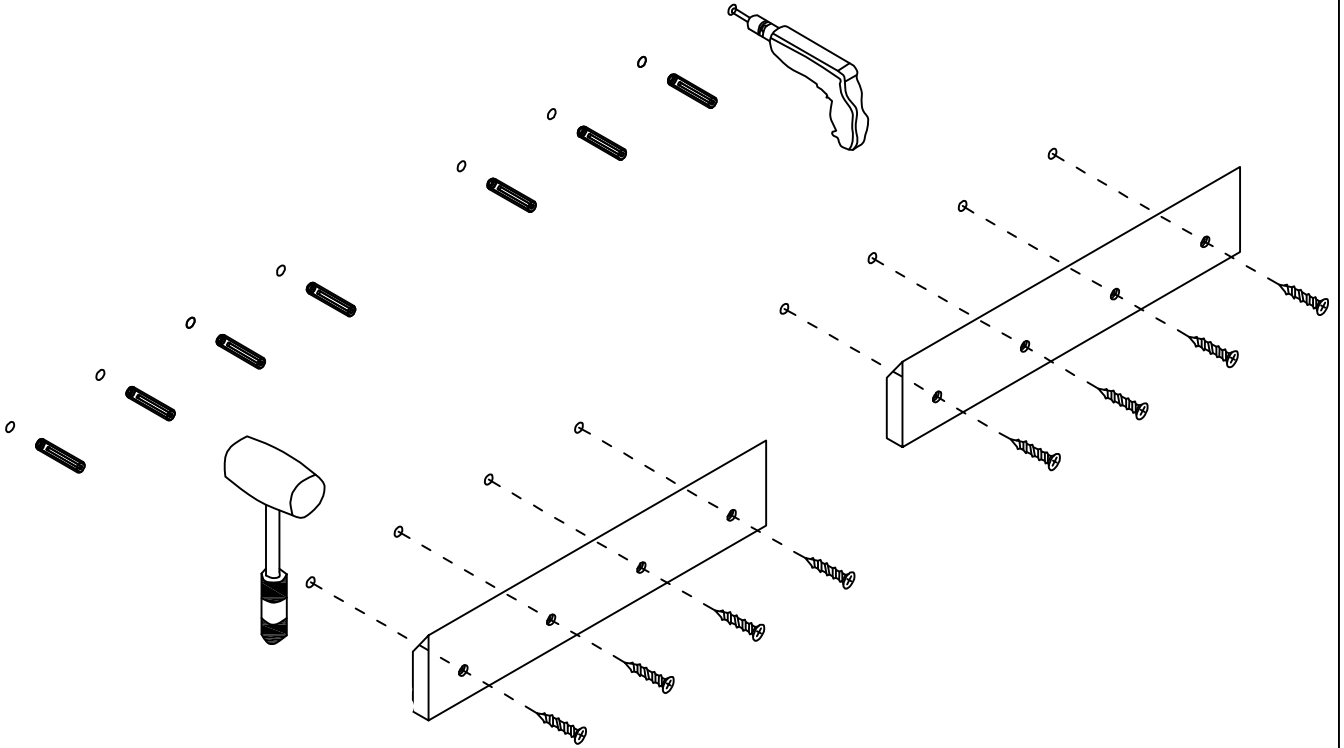
**B**

## TOOLS REQUIRED (NOT INCLUDED)

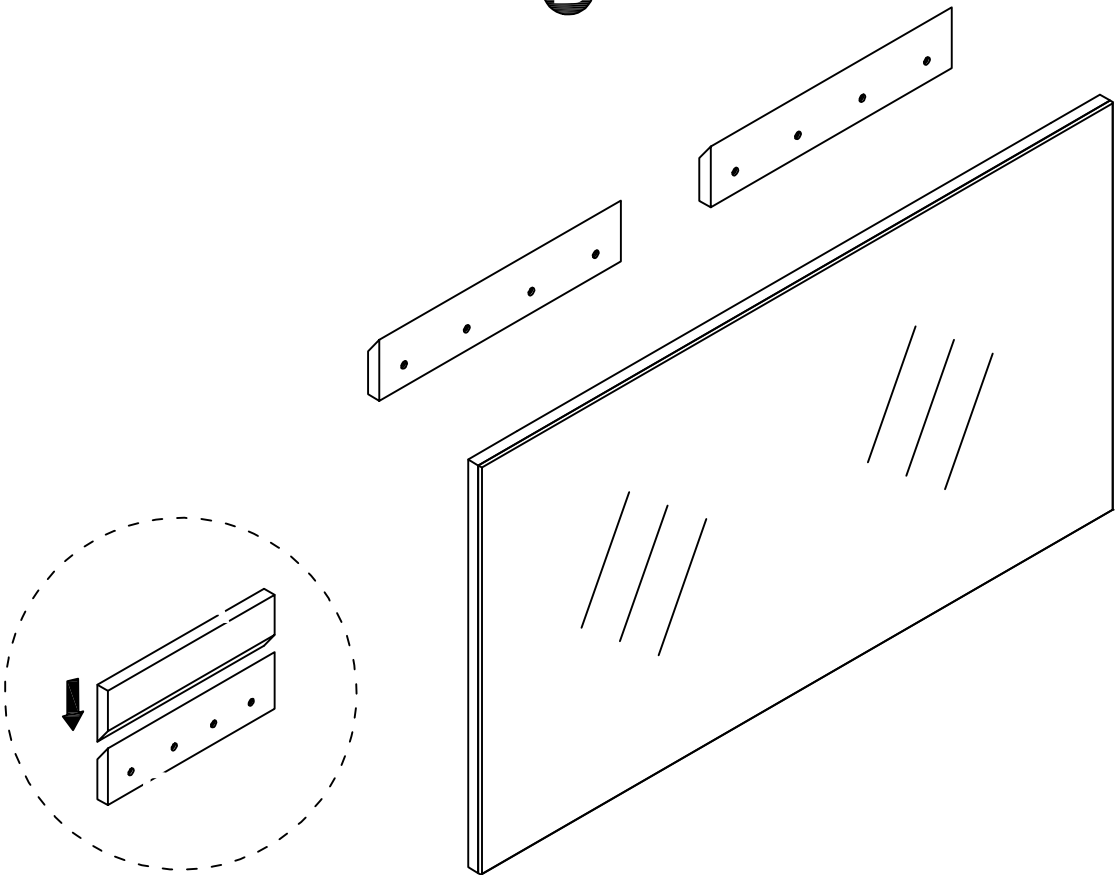


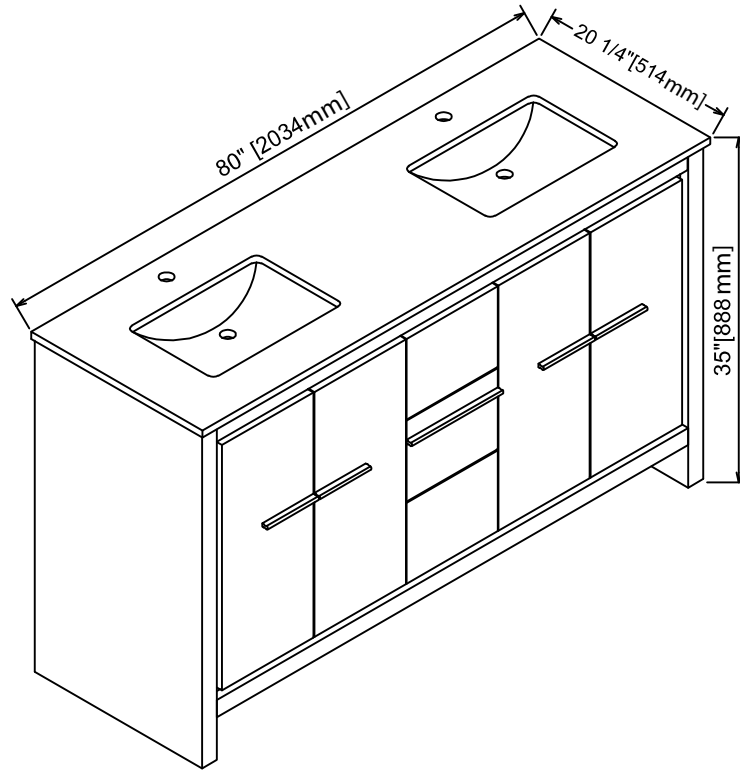
# INSTALLATION

**A**

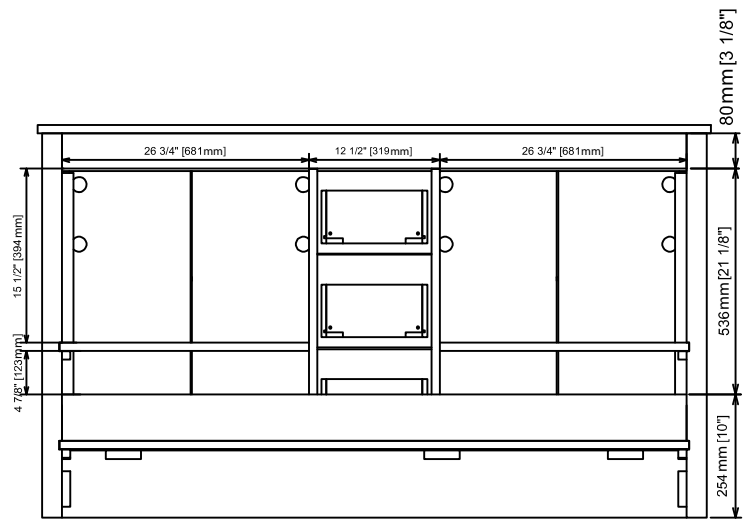
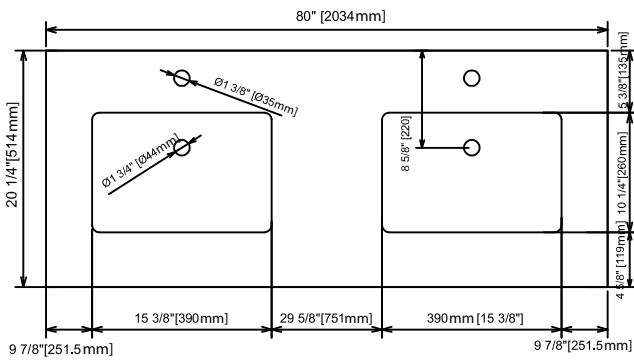


**B**

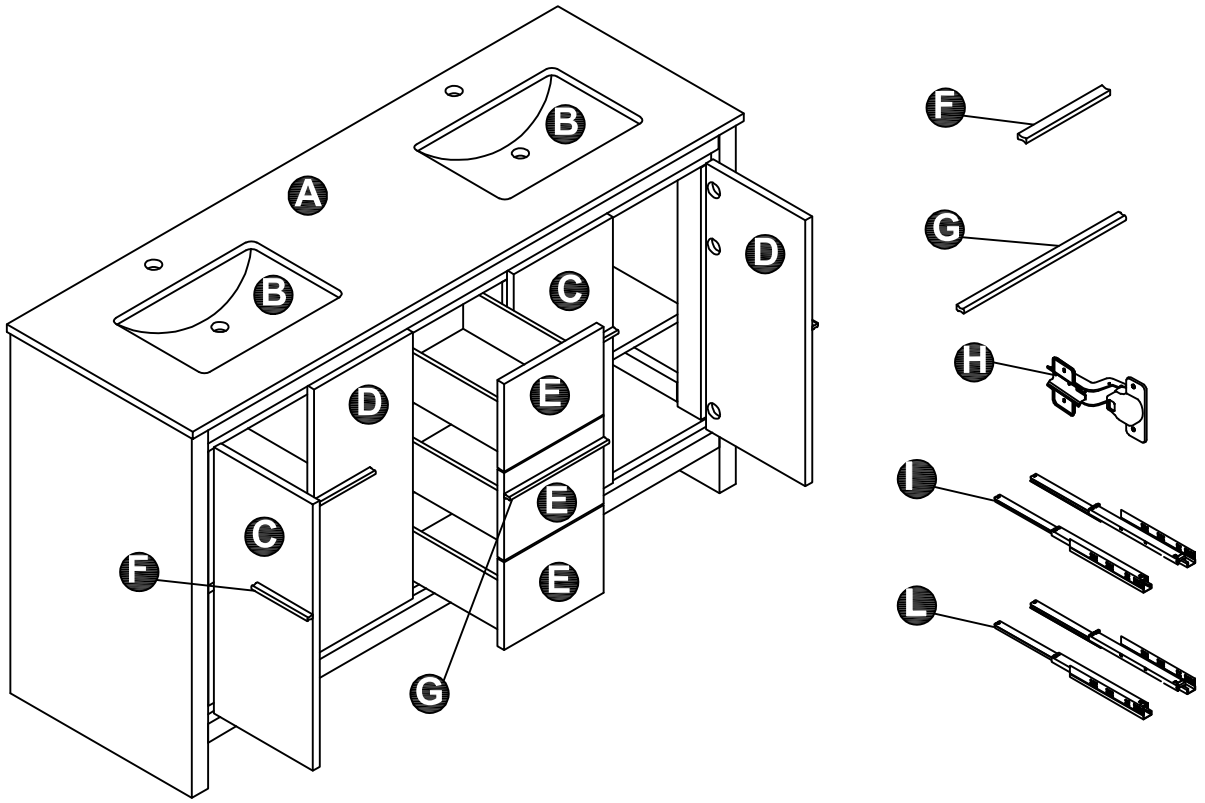




## DIMENSIONS



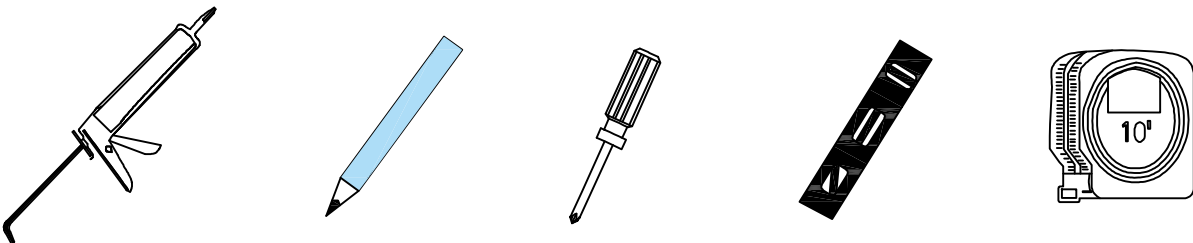
## PART LIST



PART	DESCRIPTIONS	QUANTITY
A	Countertop	1
B	Basin	2
C	Door Left	2
D	Door Right	2
E	Drawer	3

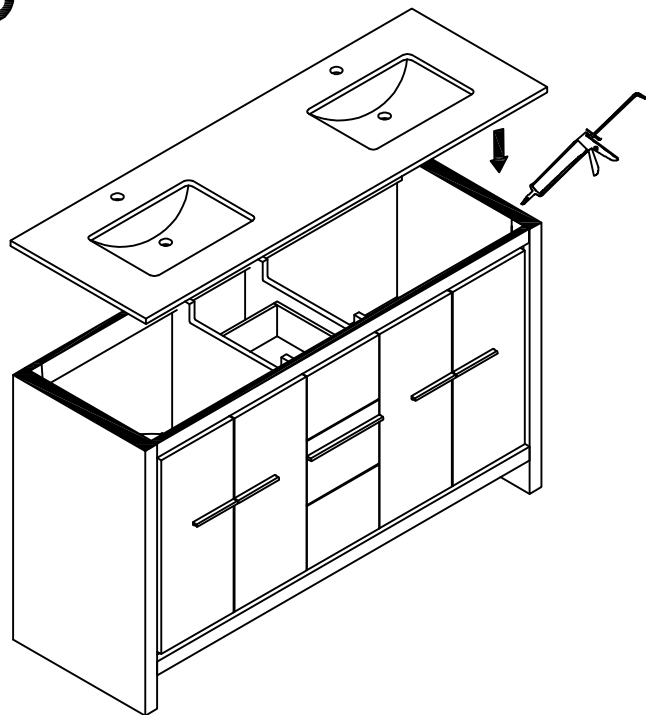
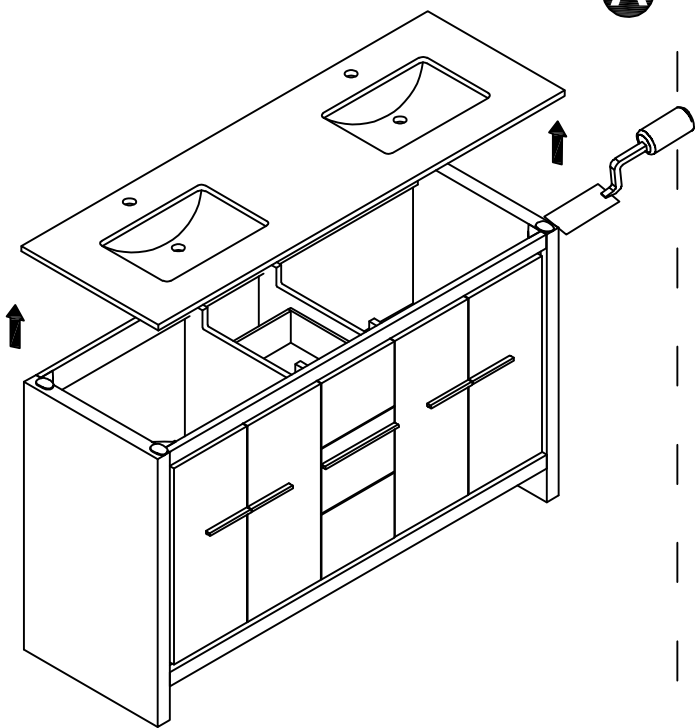
PART	DESCRIPTIONS	QUANTITY
F	Handle	4
G	Handle	1
H	Hingle	12
I	Drawer glides ( Midd)	1
L	Drawer glides (Push)	2

## TOOLS REQUIRED (NOT INCLUDED)

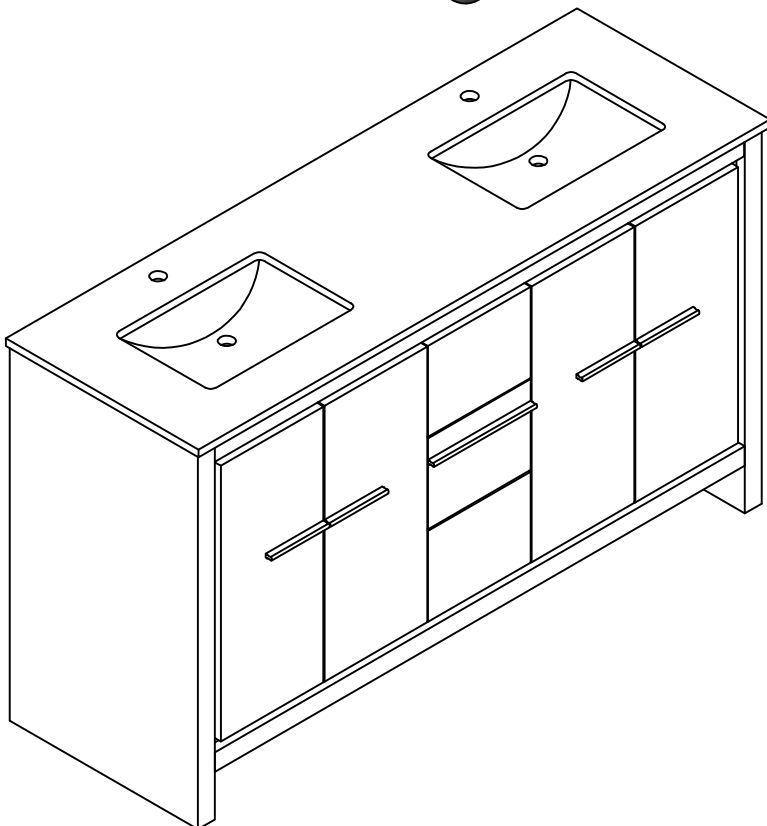


# INSTALLATION

**A** **B**



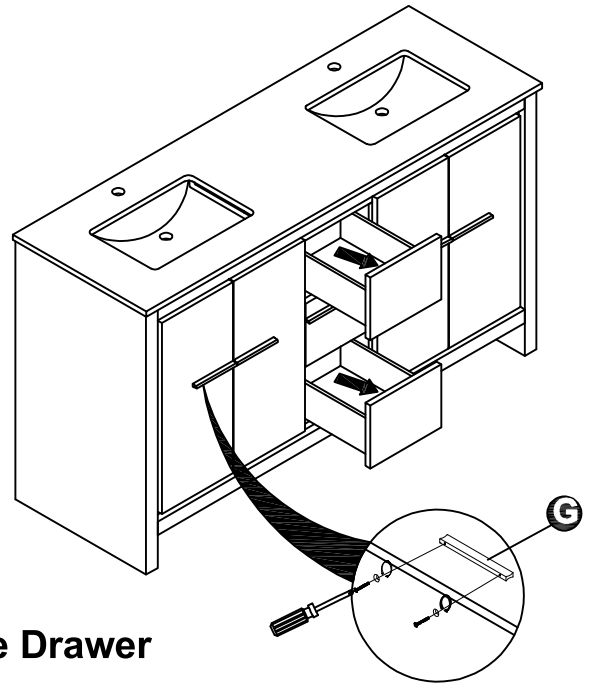
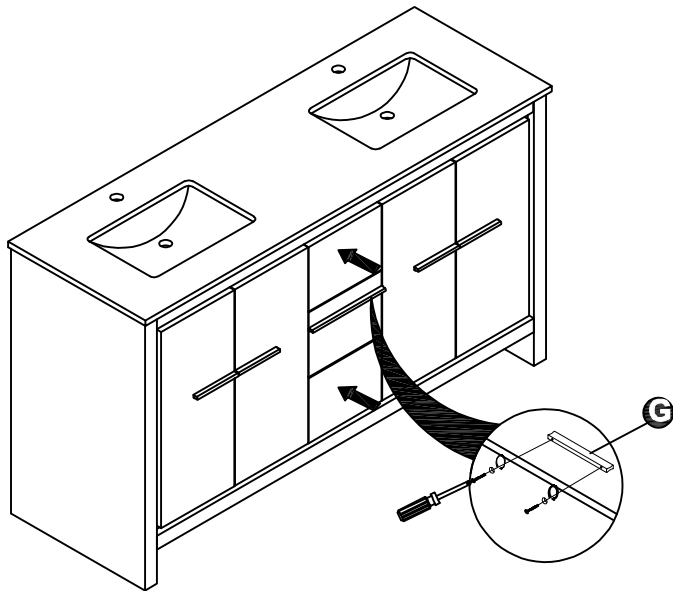
**G**



**24!**

# DRAWER

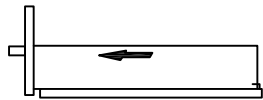
**A**



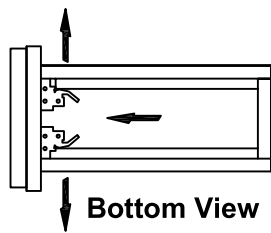
**1** Push Open / Close Drawer

REMOVE

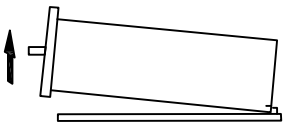
1



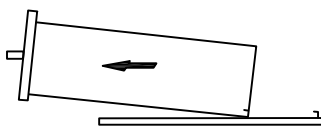
2



3

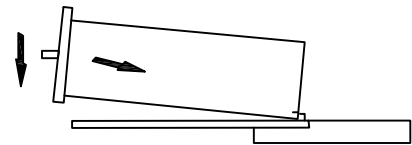


4

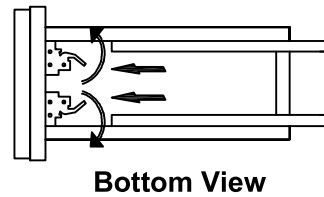


INSTALL

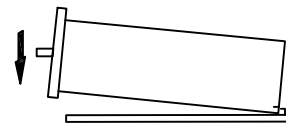
1



2



3



4

