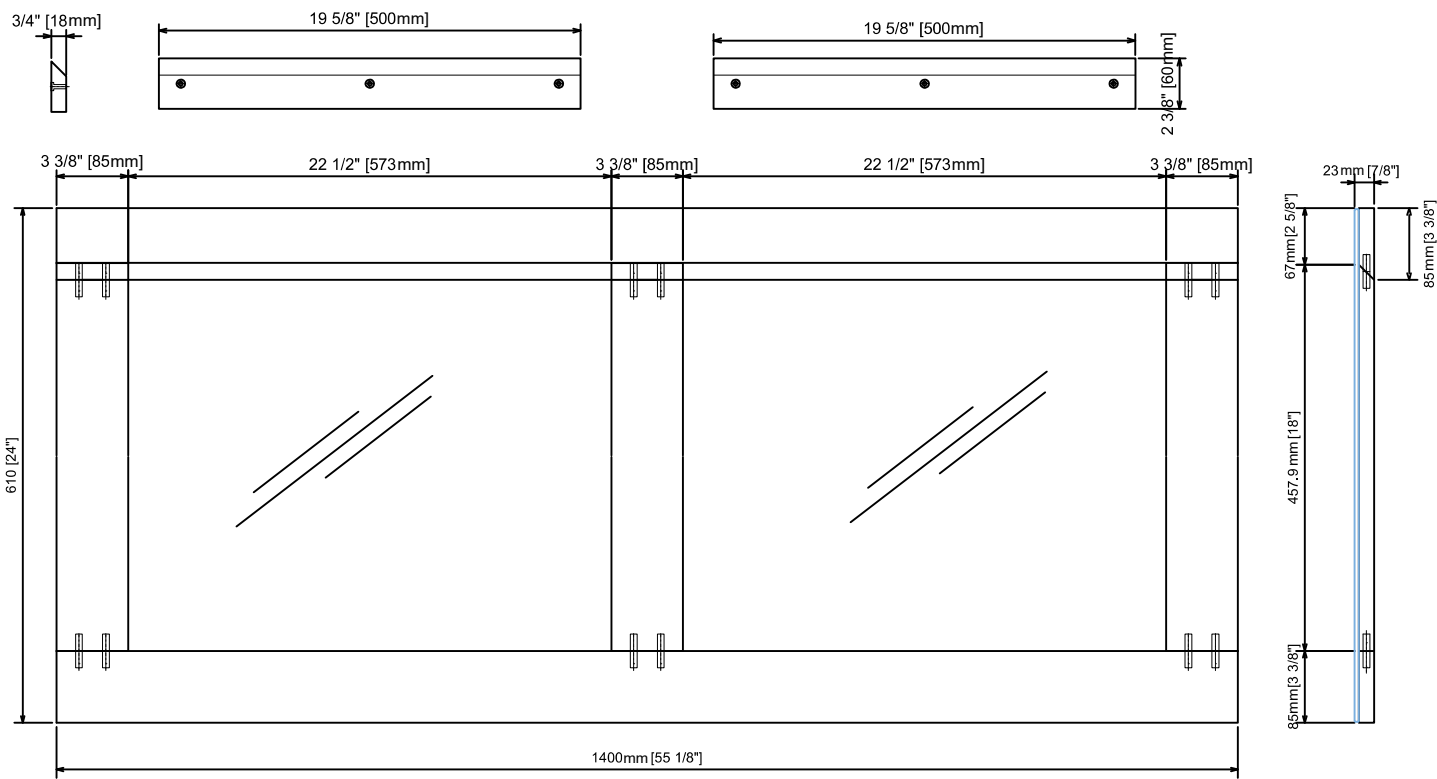
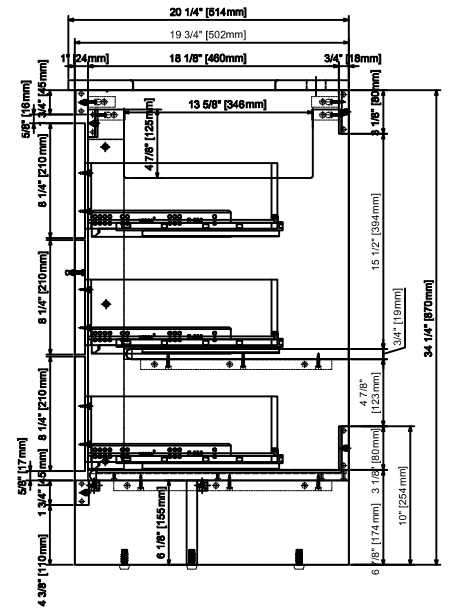
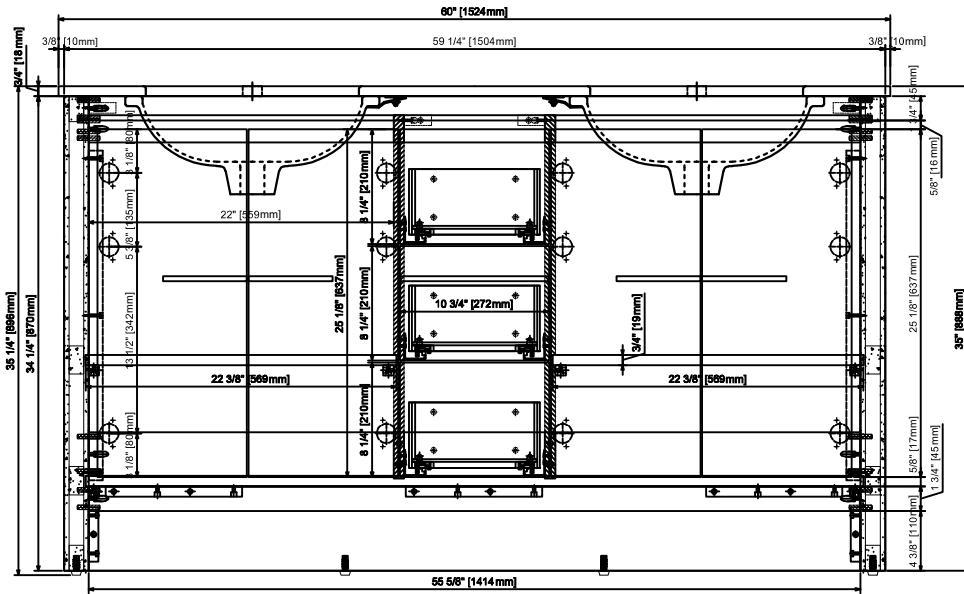
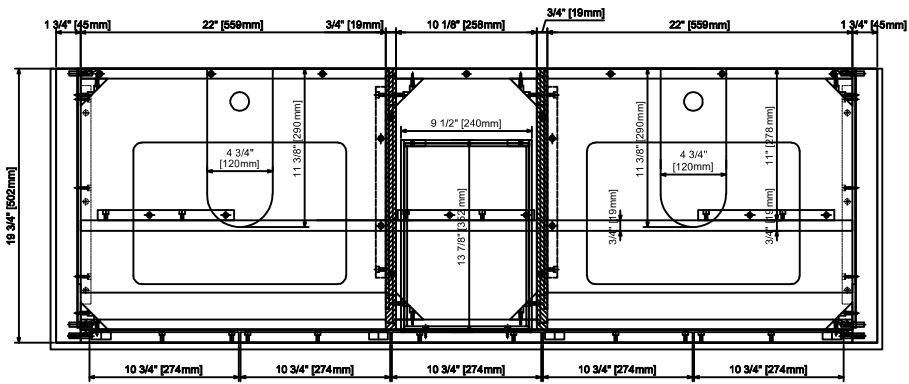
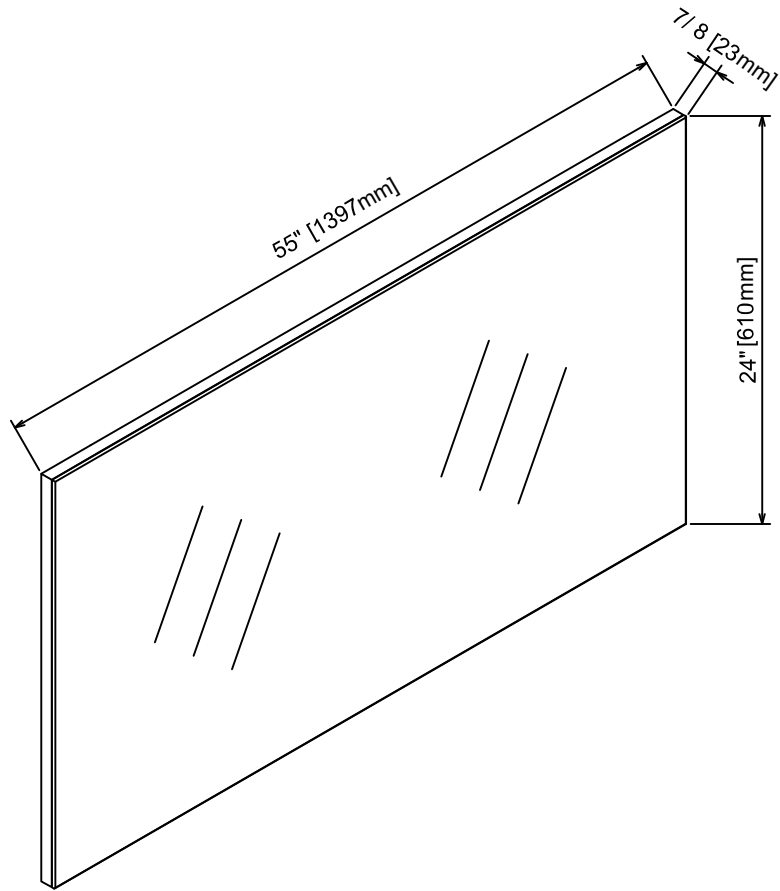


LEXORA

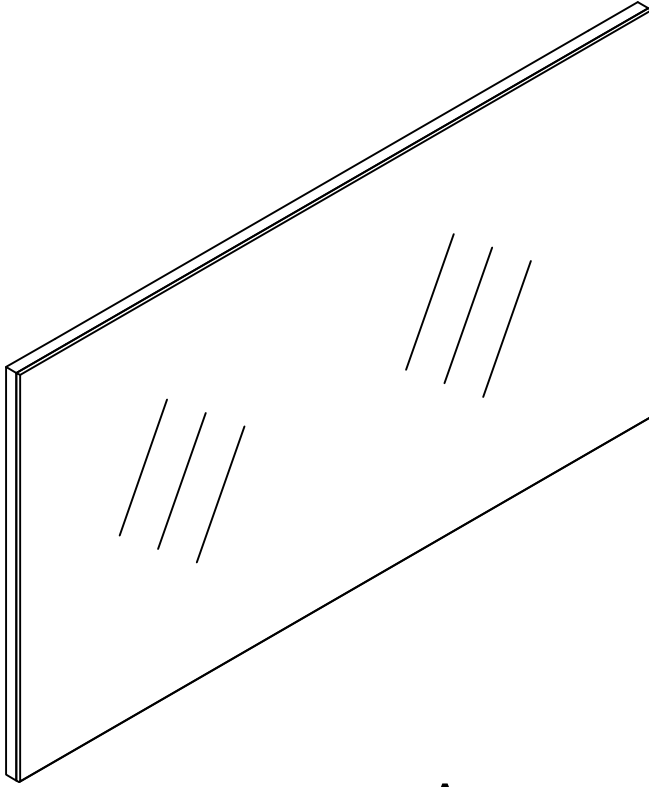




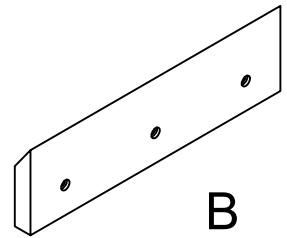


| PART | DESCRIPTIONS | QUANTITY |
|----------|---------------------|----------|
| A | Mirror | 1 |
| B | Cleat Wood | 2 |
| | HARDWARE | |
| C | Crew | 6 |
| D | Plastic Plug | 6 |

PART LIST

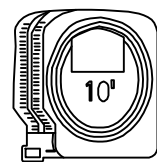
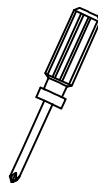
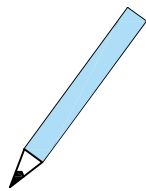
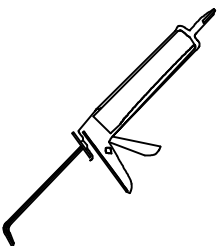


A



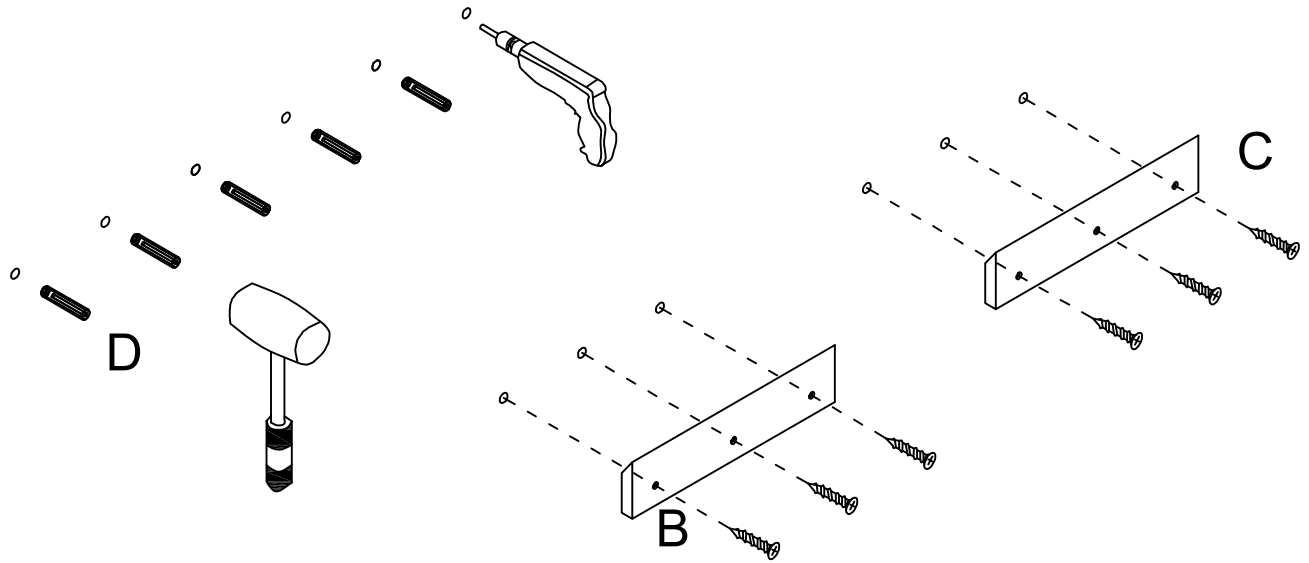
B

TOOLS REQUIRED (NOT INCLUDED)

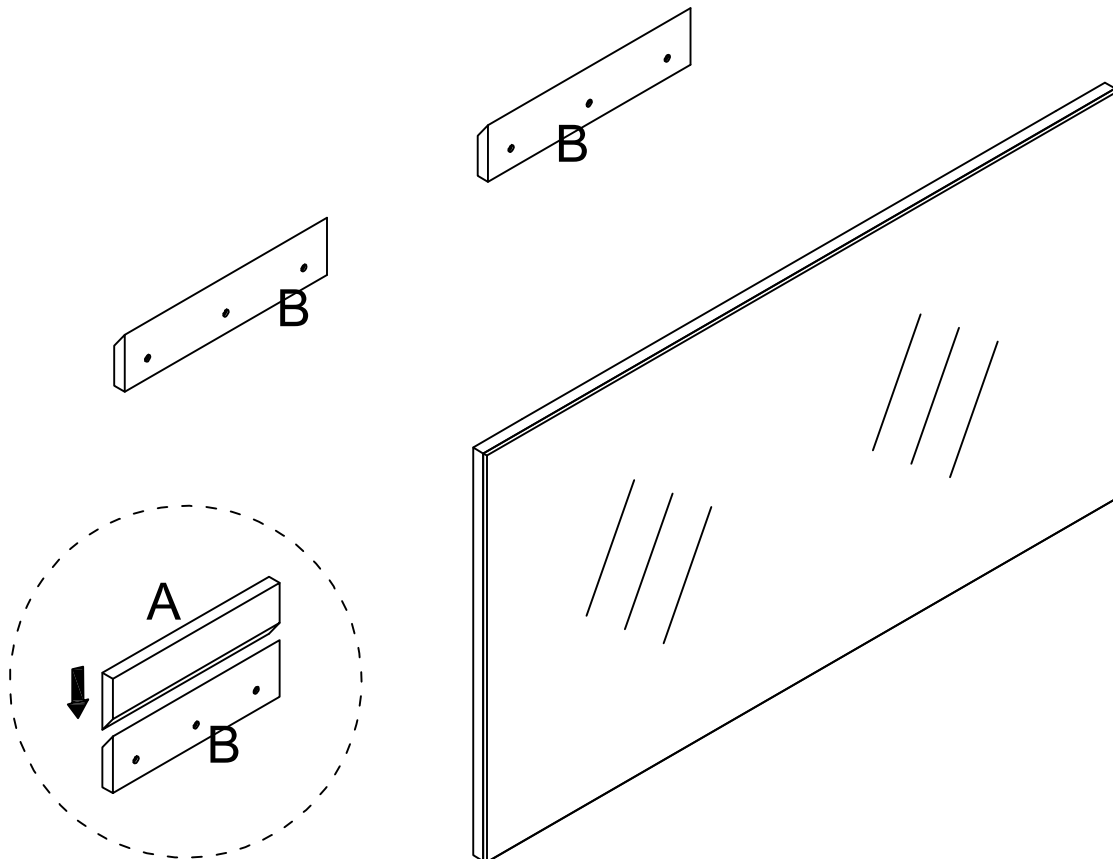


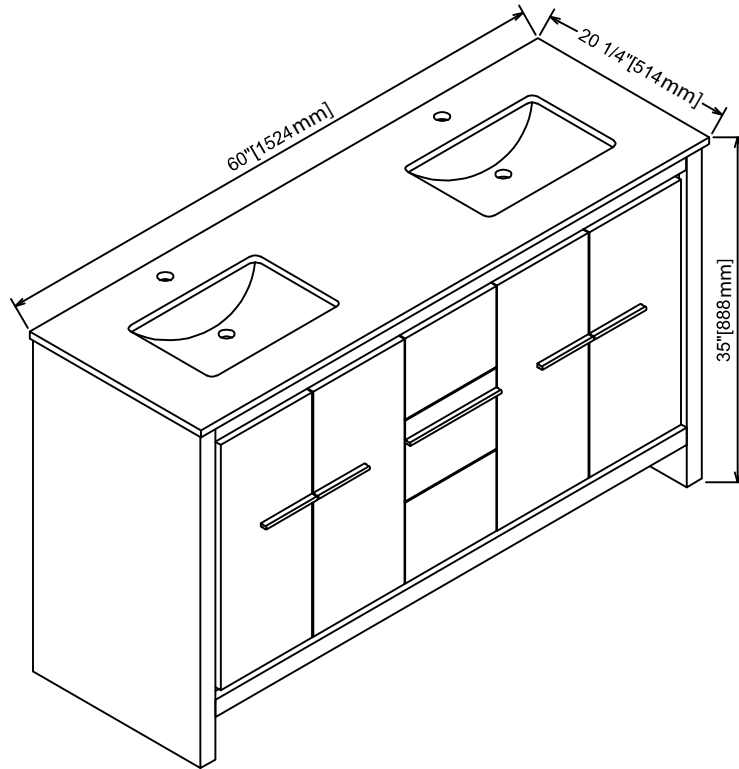
INSTALLATION

A

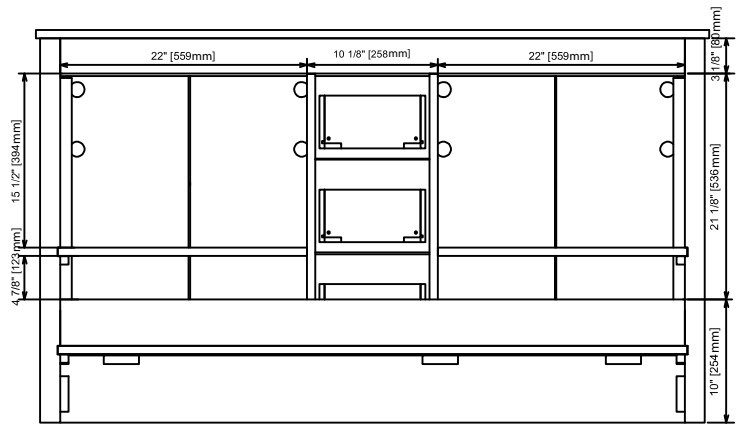
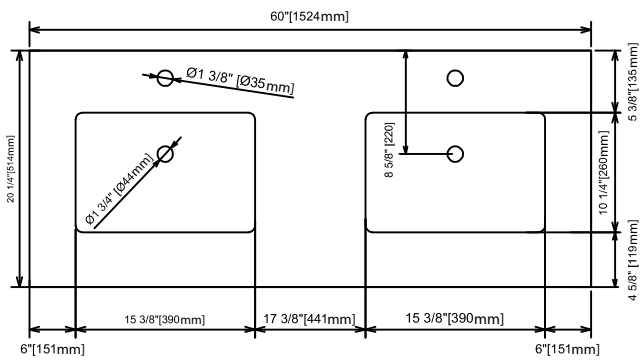


B

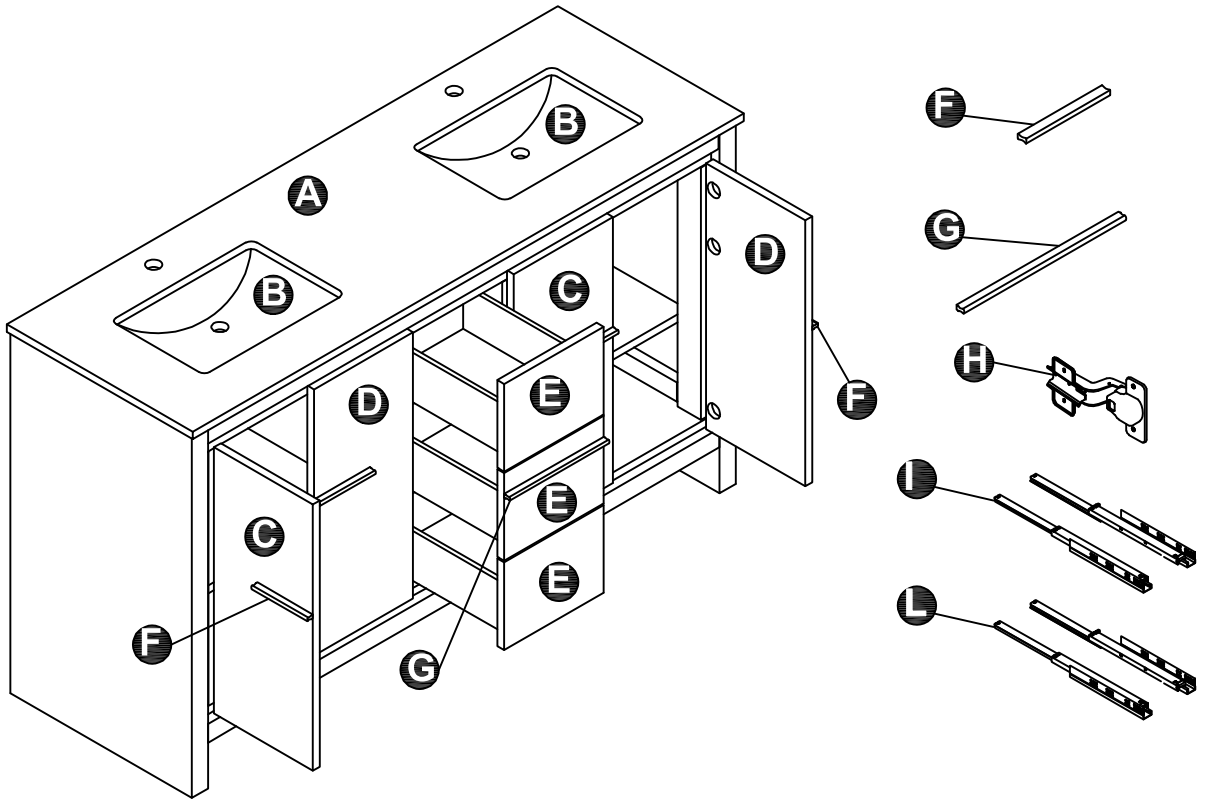




DIMENSIONS



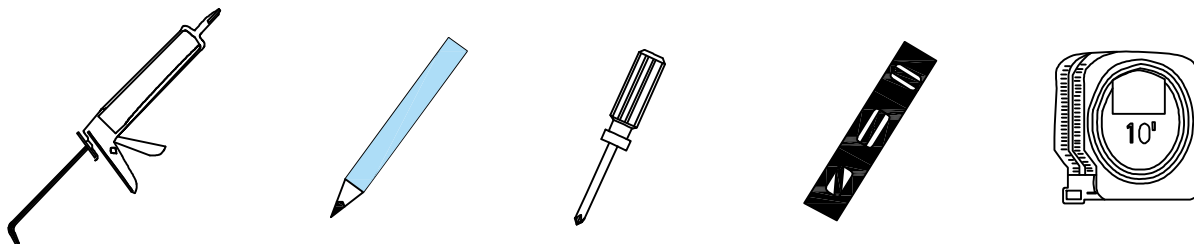
PART LIST



| PART | DESCRIPTIONS | QUANTITY |
|------|--------------|----------|
| A | Countertop | 1 |
| B | Basin | 2 |
| C | Door Left | 2 |
| D | Door Right | 2 |
| E | Drawer | 3 |

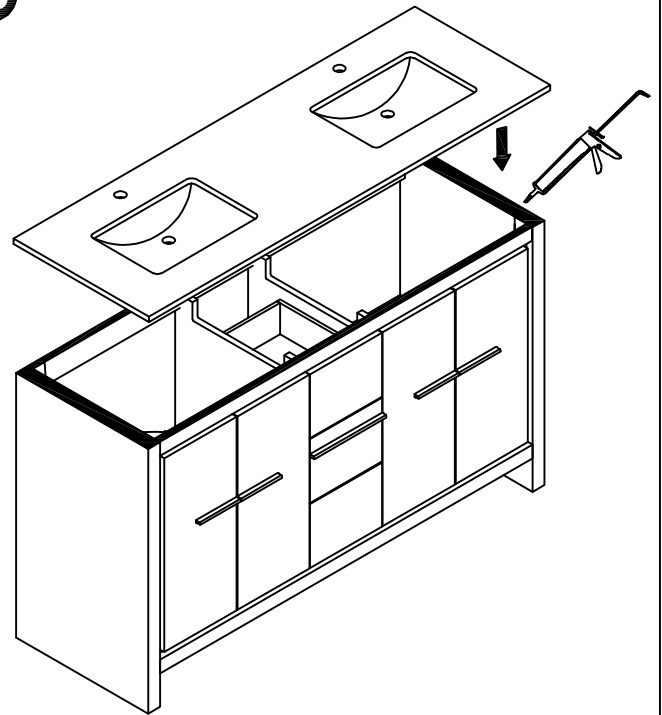
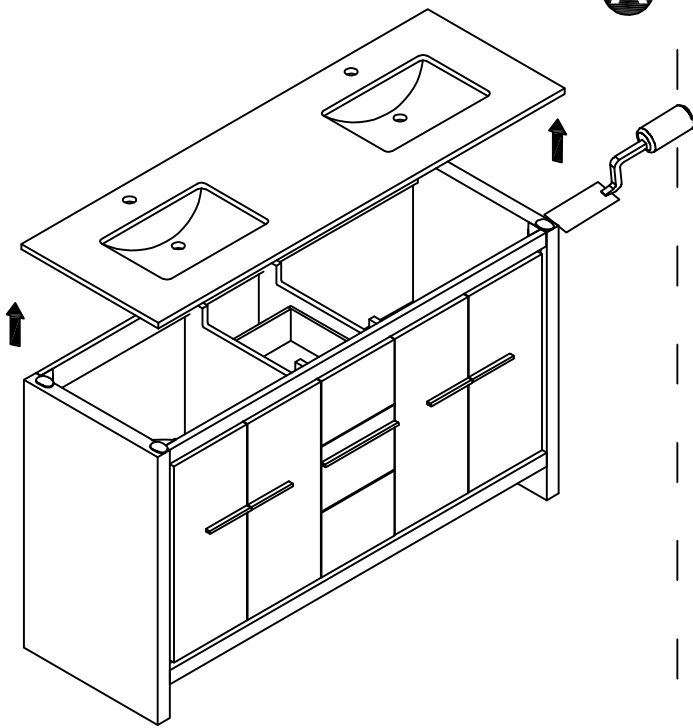
| PART | DESCRIPTIONS | QUANTITY |
|------|-----------------------|----------|
| F | Handle | 4 |
| G | Handle | 1 |
| H | Hingle | 12 |
| I | Drawer glides (Midd) | 1 |
| L | Drawer glides (Push) | 2 |

TOOLS REQUIRED (NOT INCLUDED)

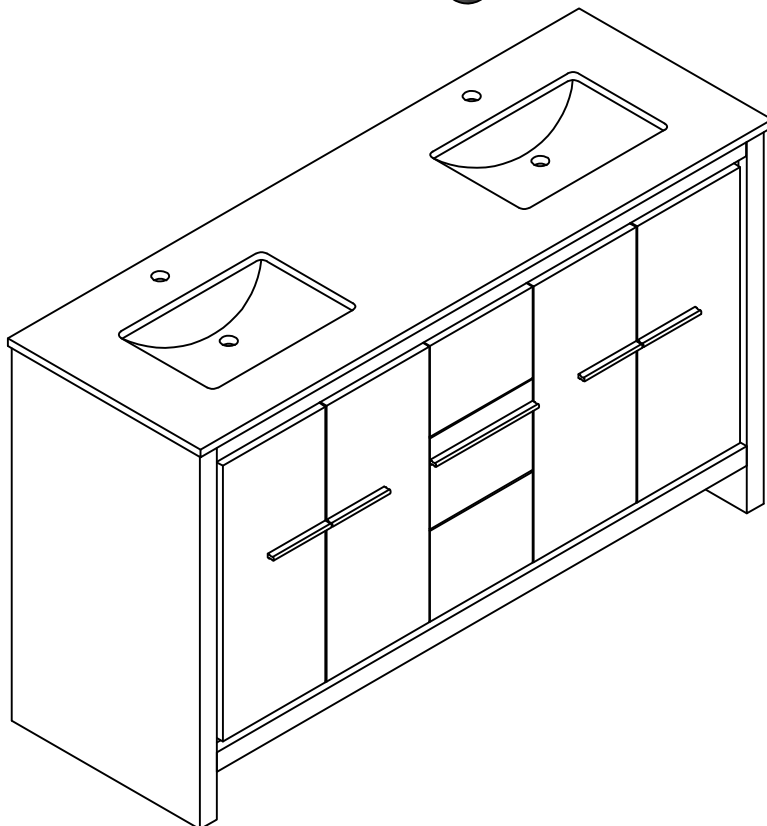


INSTALLATION

A **B**



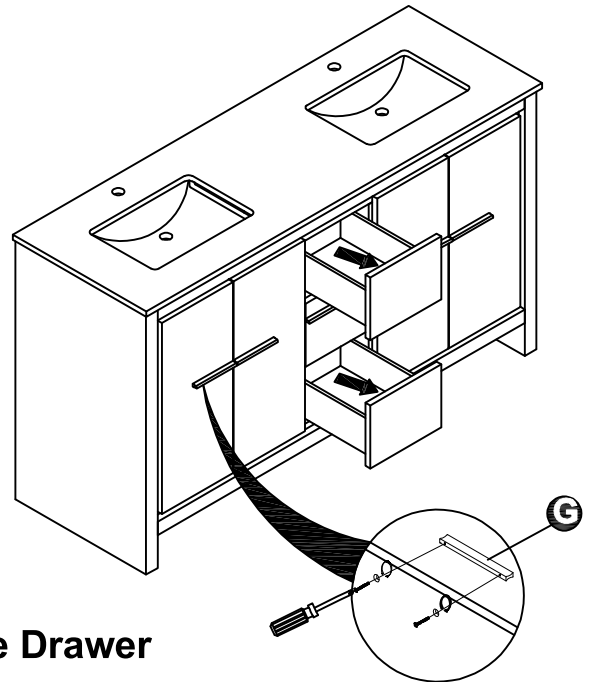
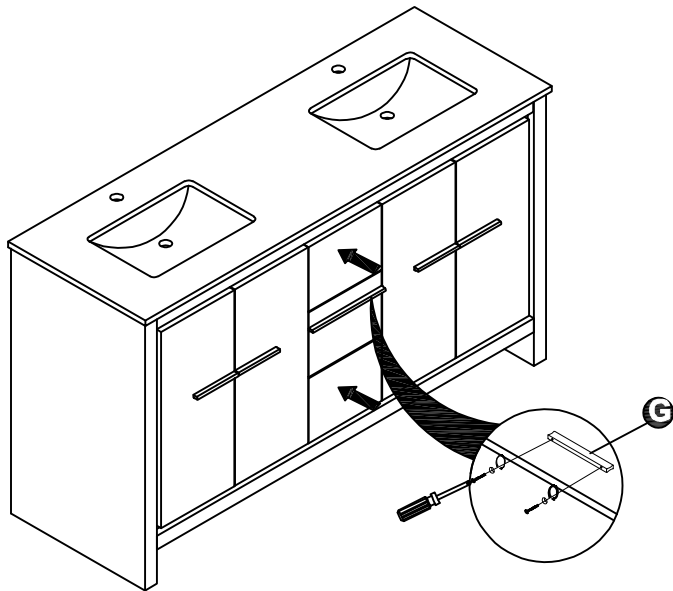
G



24!

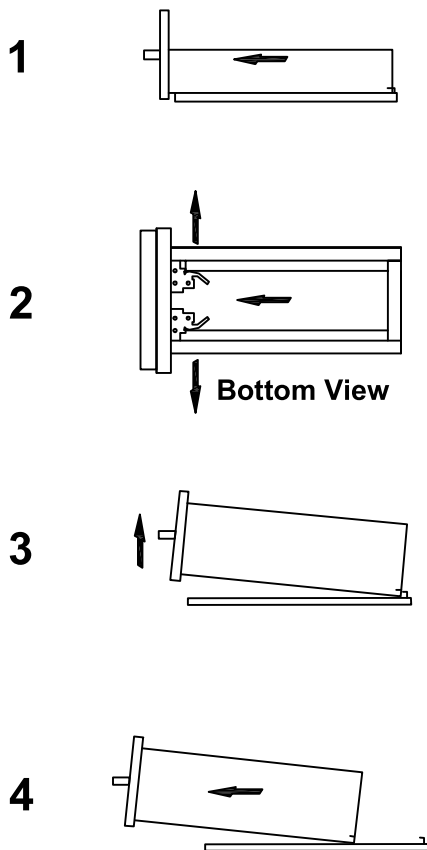
DRAWER

A



1 Push Open / Close Drawer

REMOVE



INSTALL

