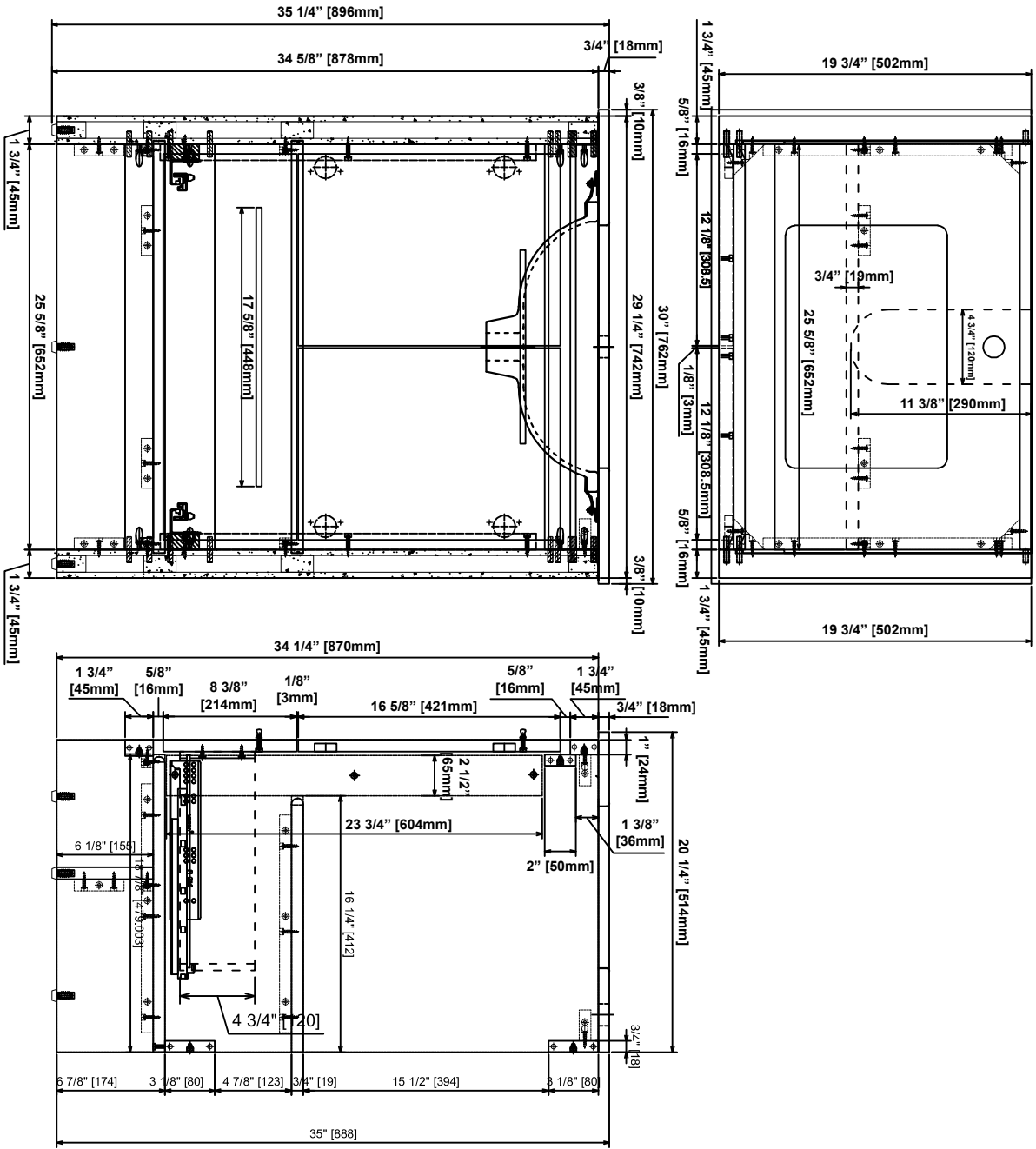
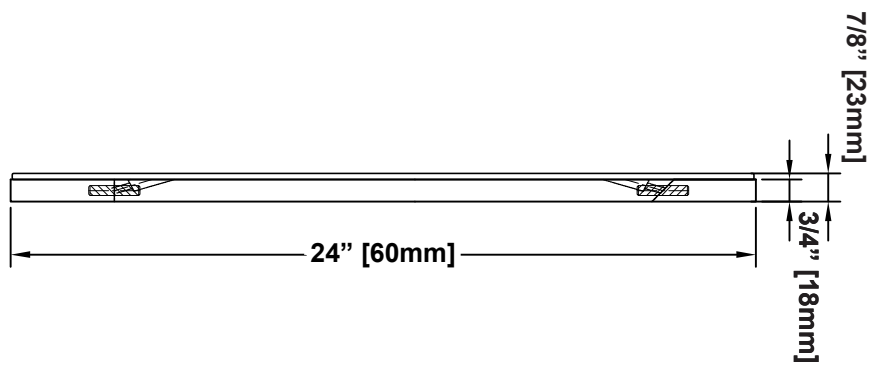
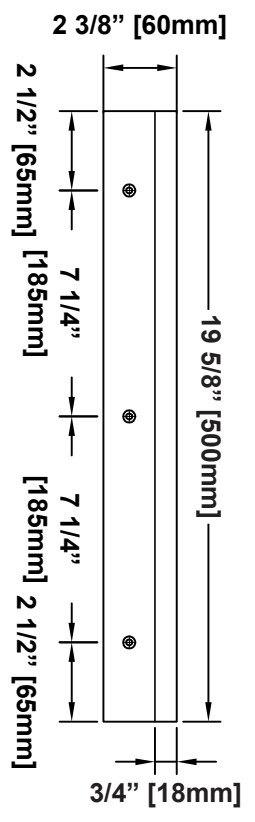
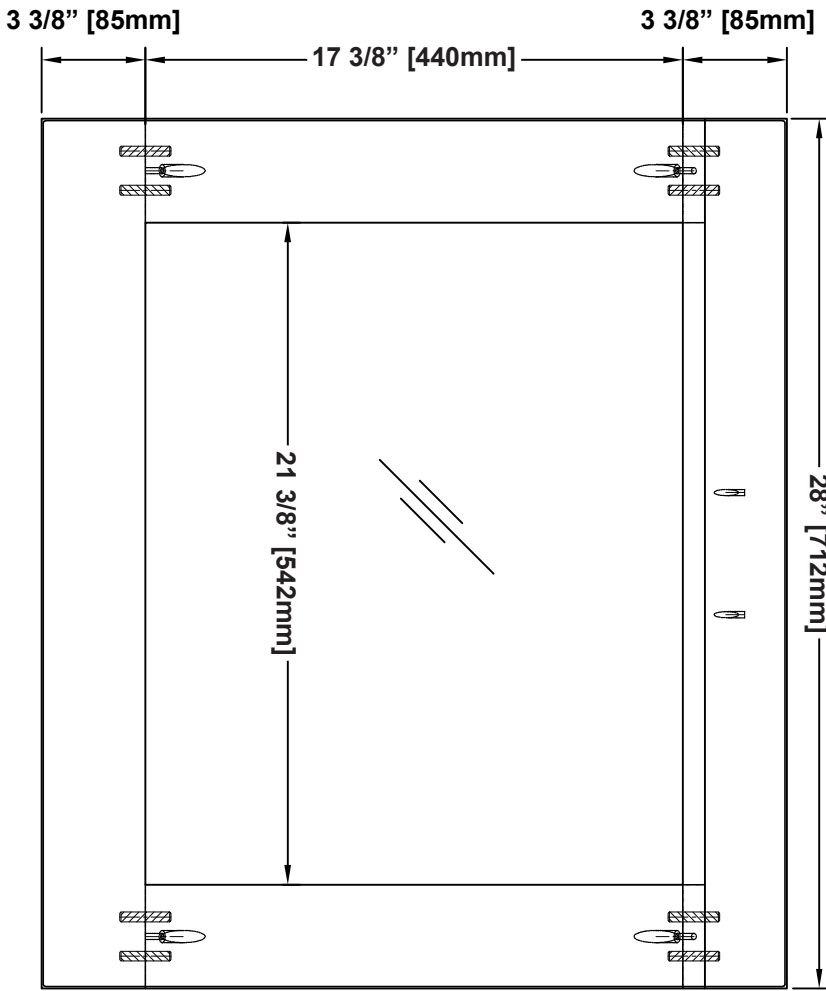
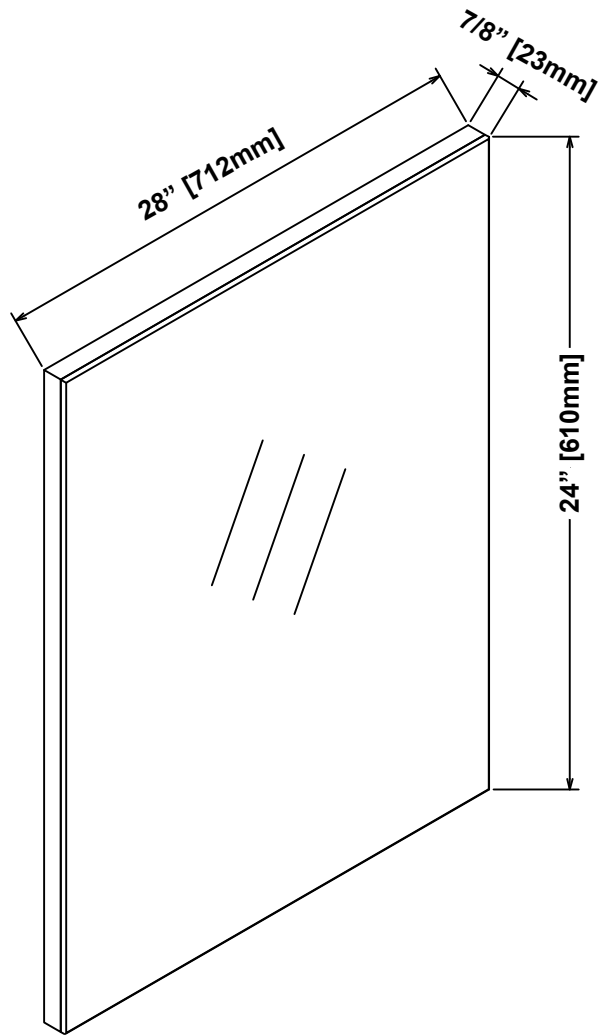


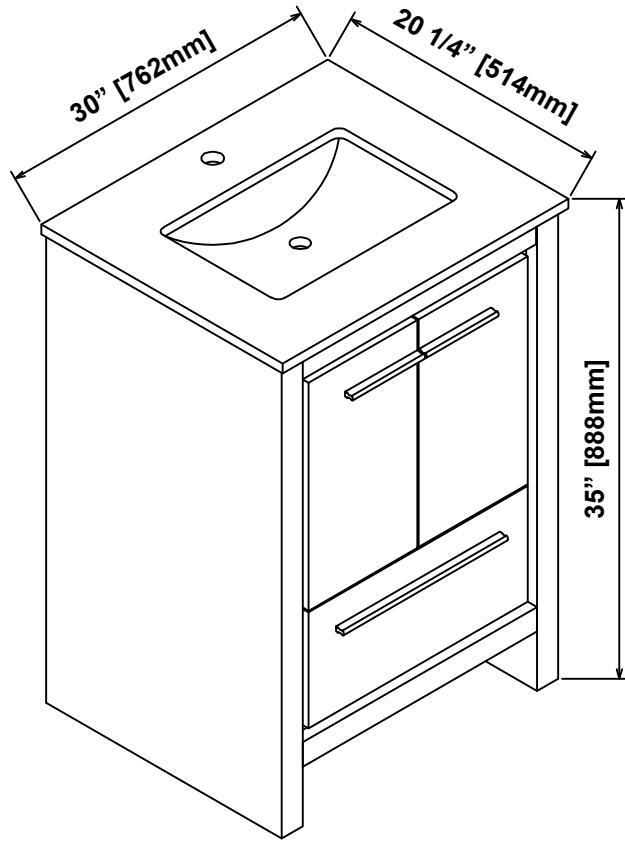
LEXORA



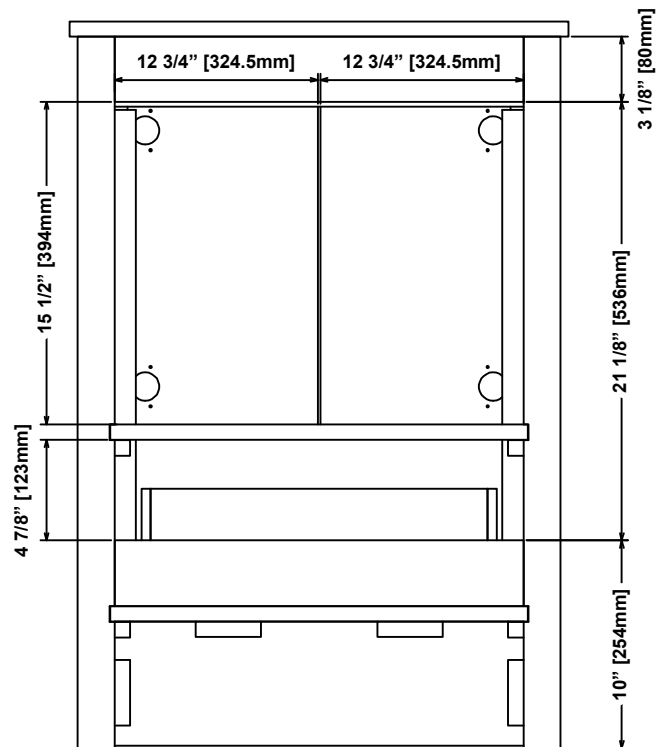
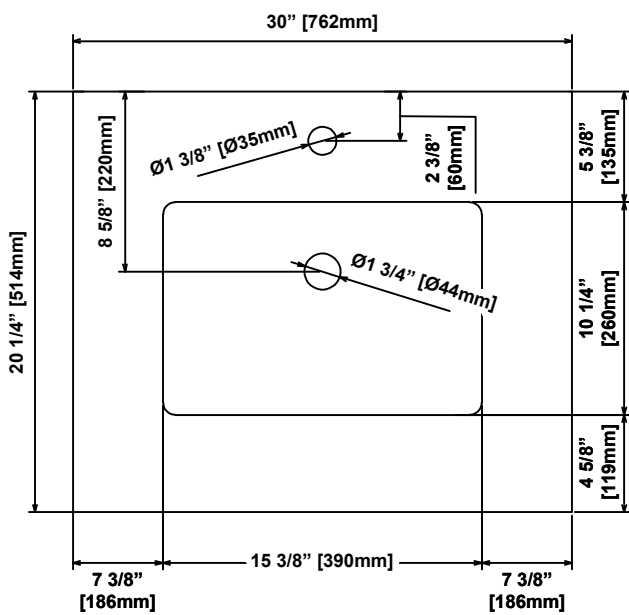




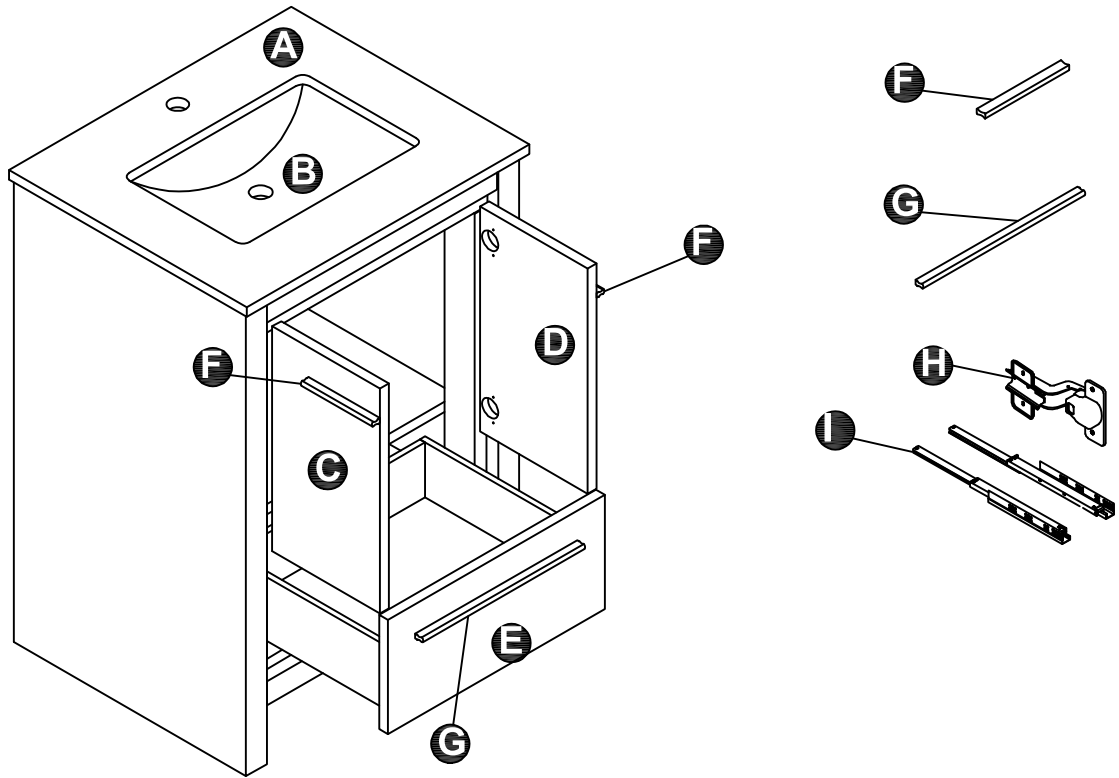
PART	DESCRIPTIONS	QUANTITY
A	Mirror	1
B	Cleat Wood	1
	HARDWARE	
C	Crew	3
D	Plastic Plug	3



DIMENSIONS



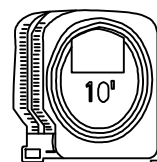
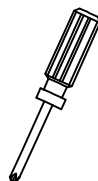
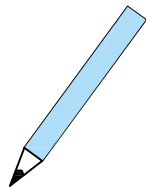
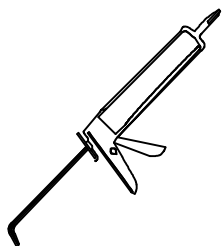
PART LIST



PART	DESCRIPTIONS	QUANTITY
A	Countertop	1
B	Basin	1
C	Door Left	1
D	Door Right	1
E	Drawer	1

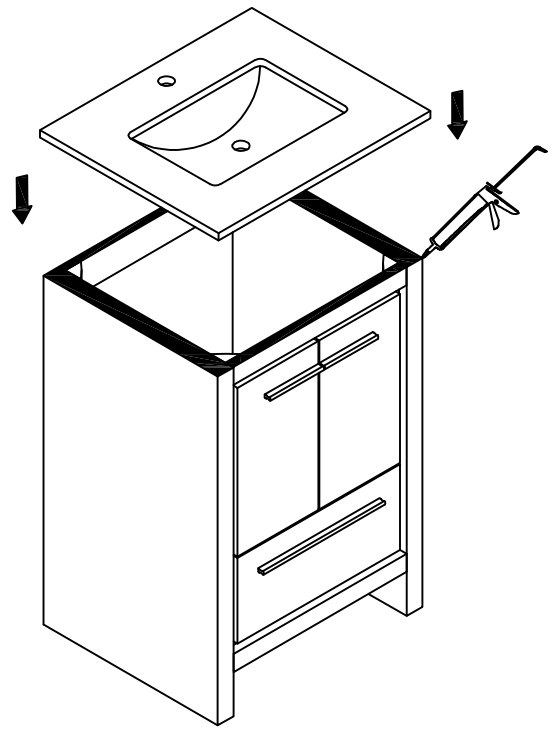
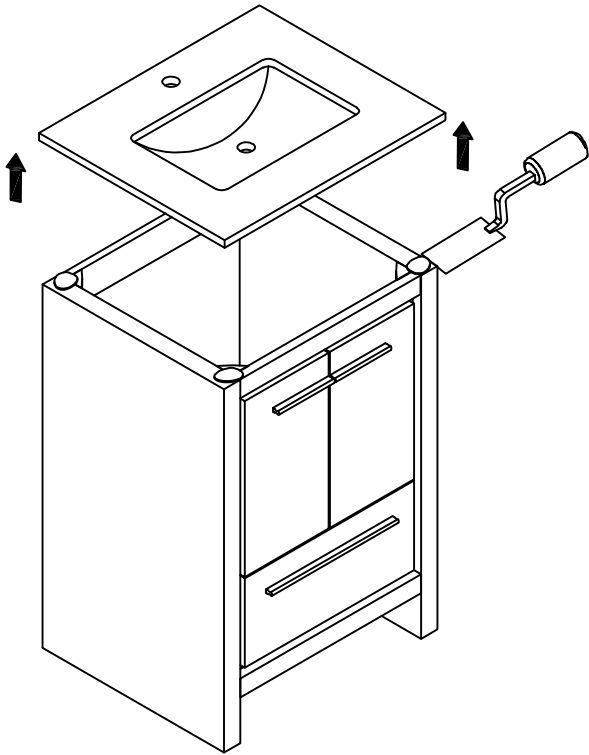
PART	DESCRIPTIONS	QUANTITY
F	Handle	2
G	Handle	1
H	Hingle	4
I	Drawer glides	1

TOOLS REQUIRED (NOT INCLUDED)

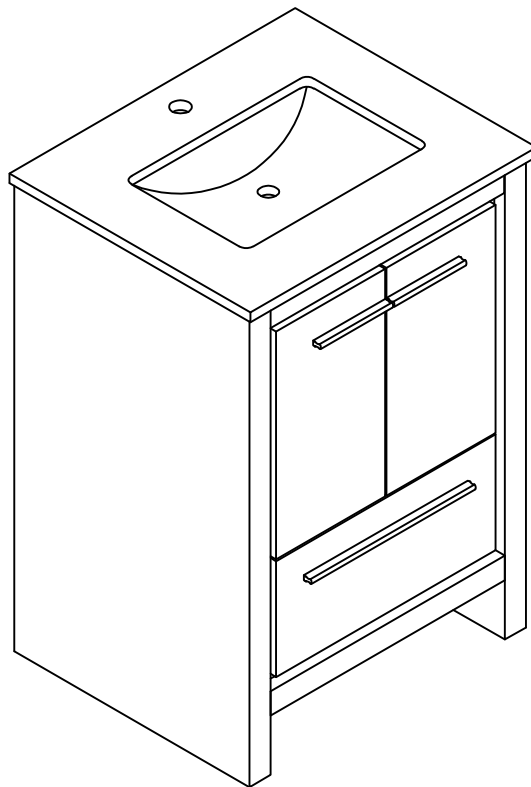


INSTALLATION

A **B**

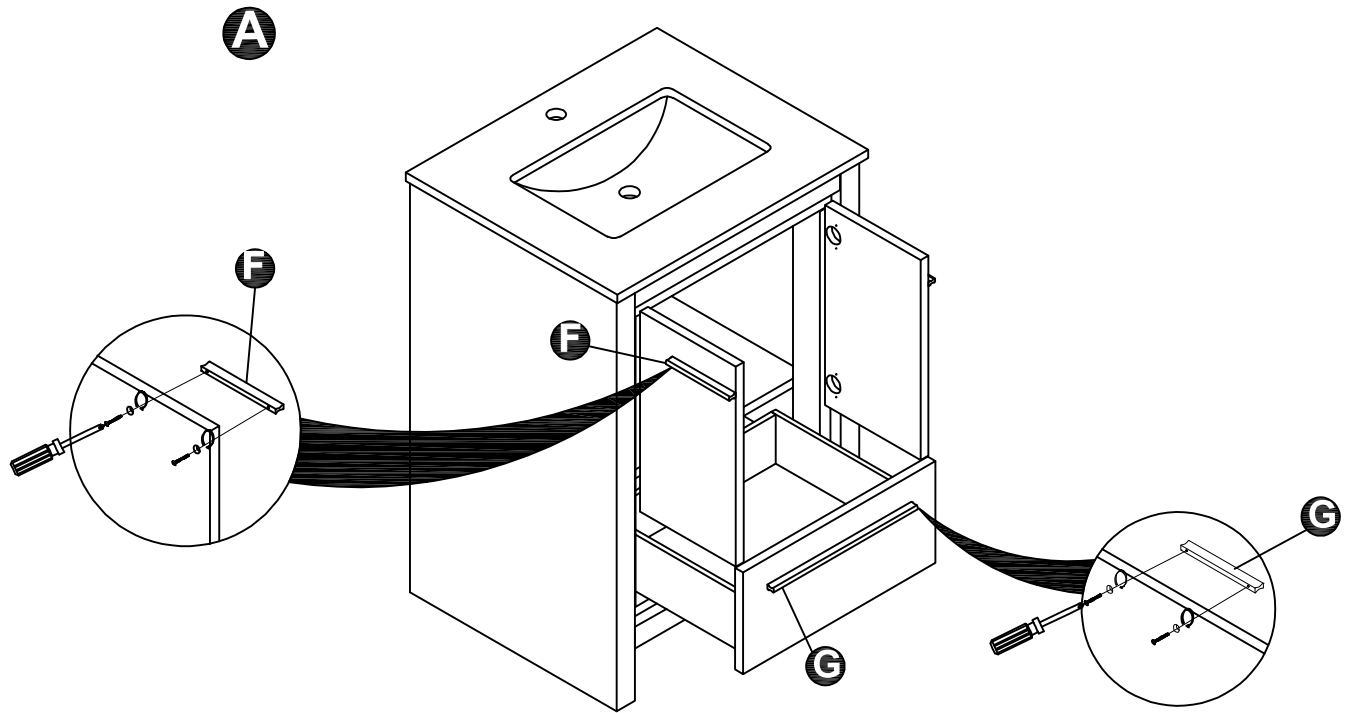


C



24!

DRAWER



REMOVE

INSTALL

