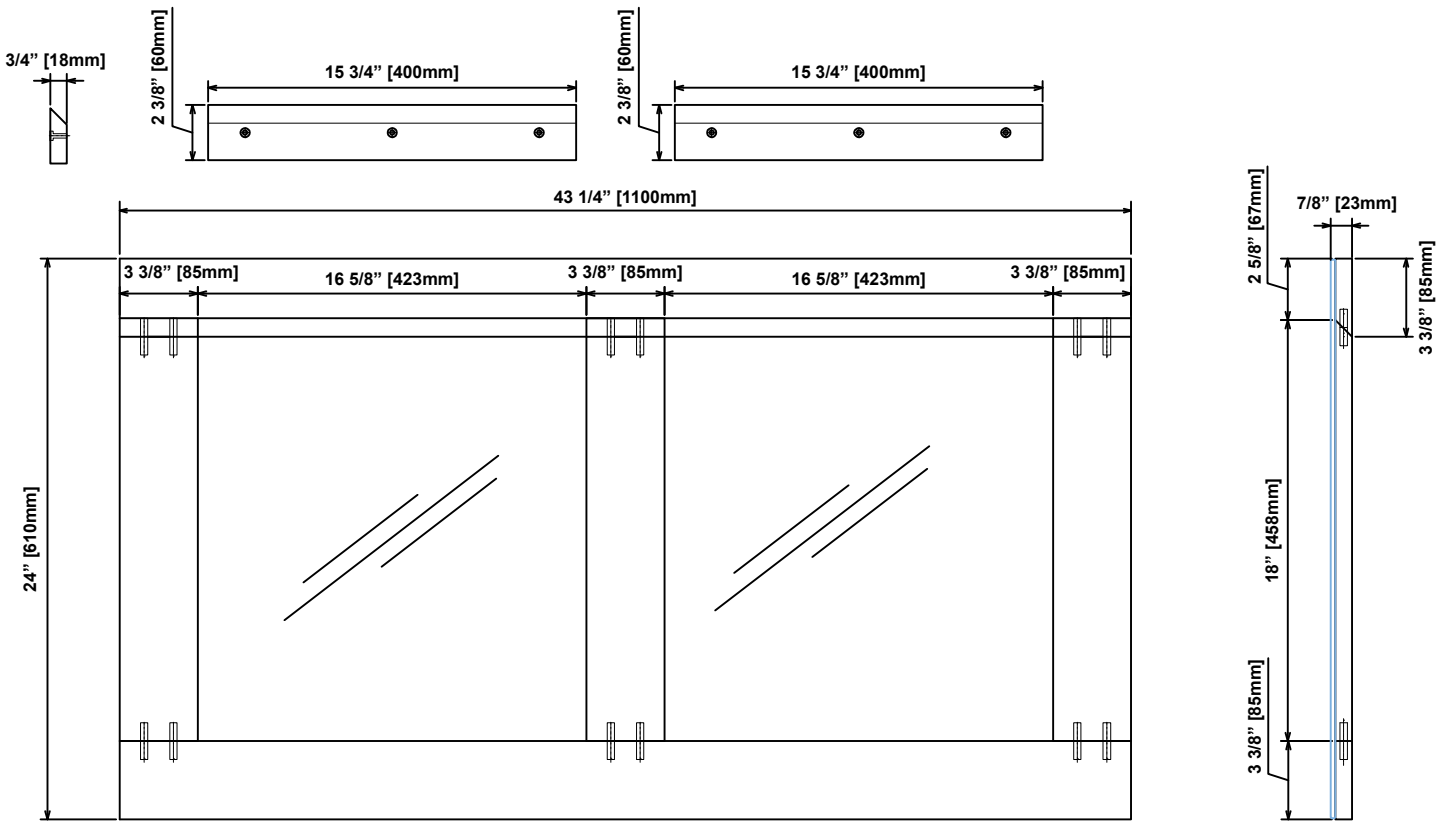
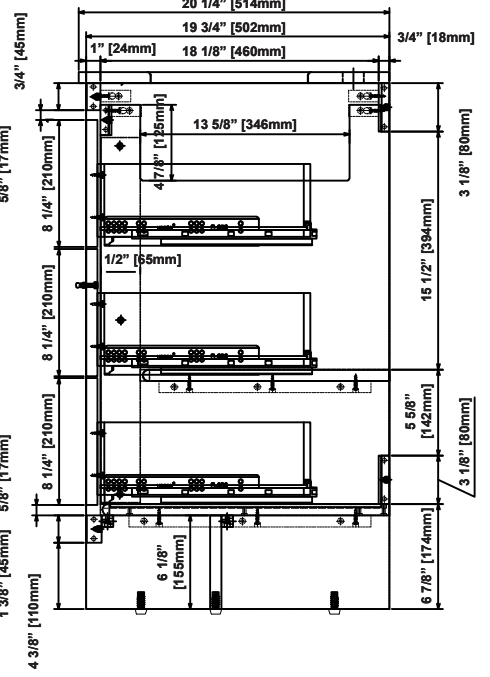
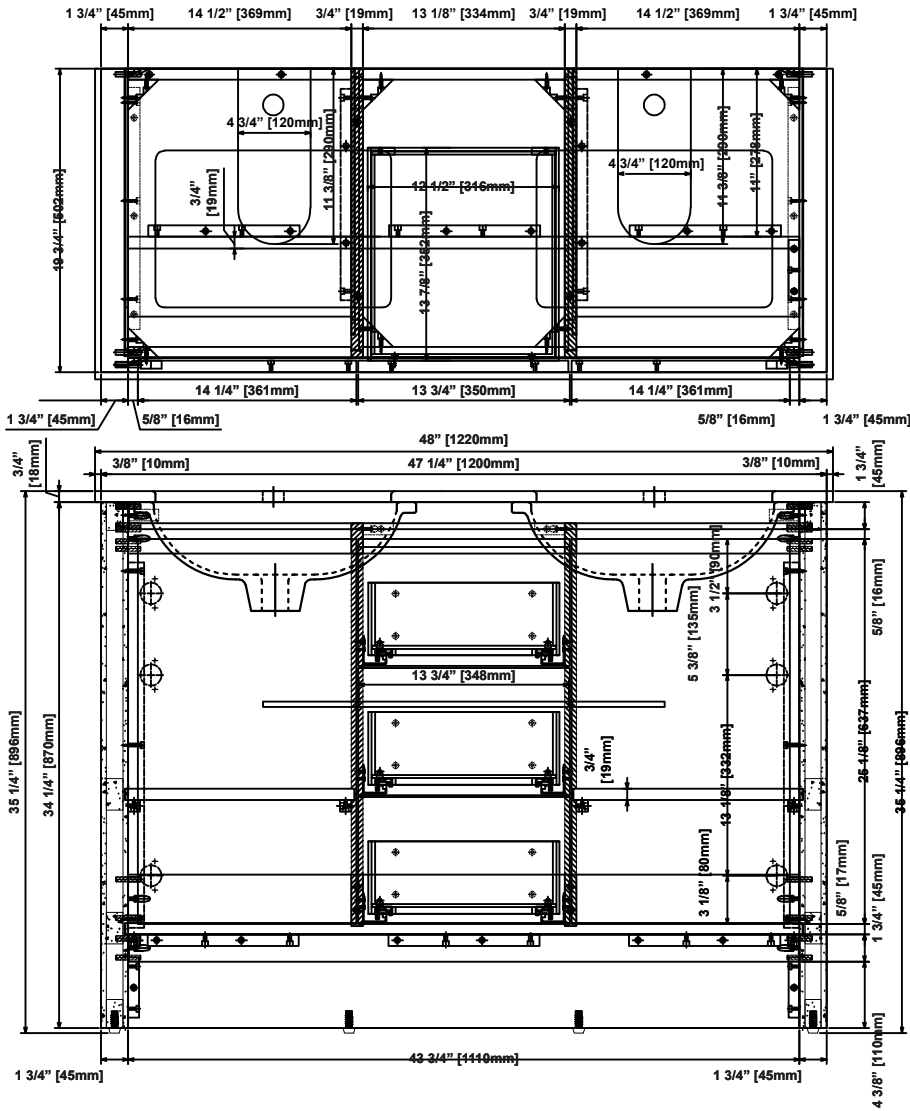
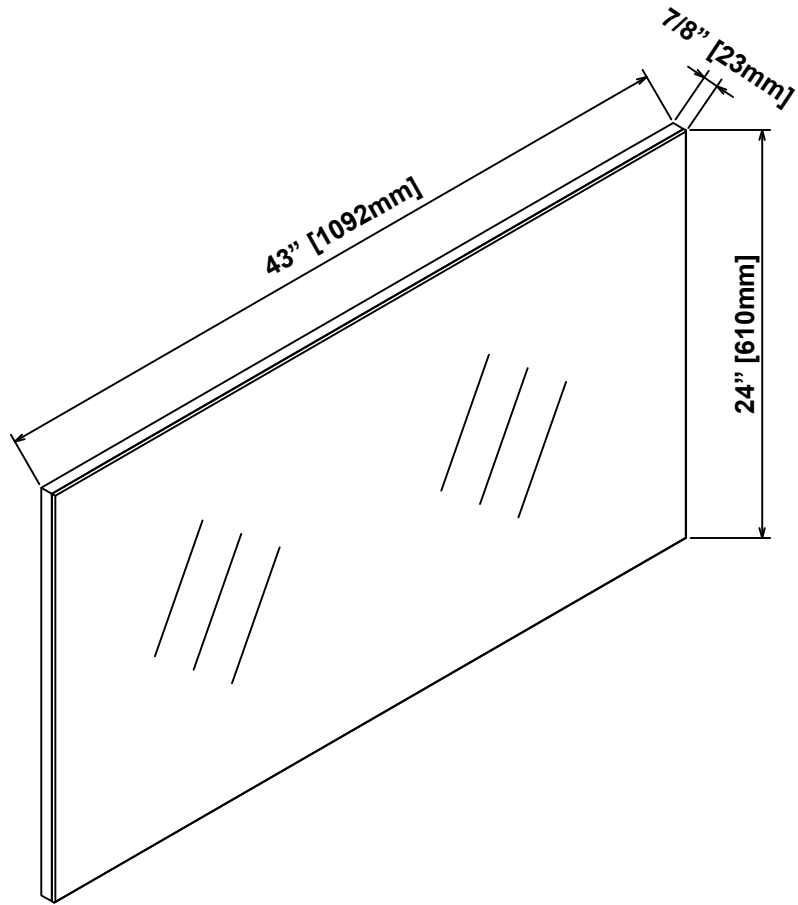


# LEXORA

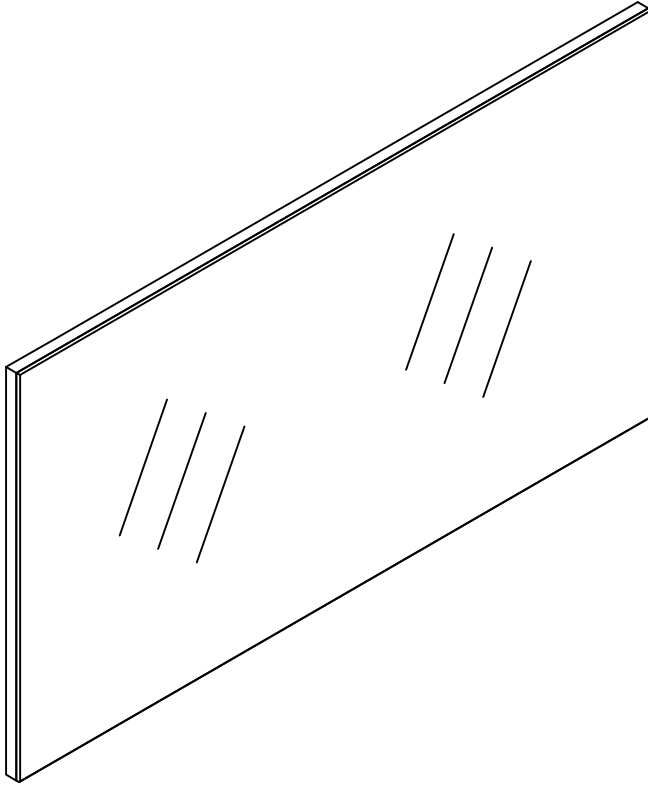




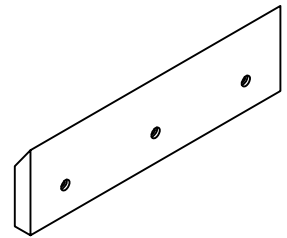


PART	DESCRIPTIONS	QUANTITY
A	Mirror	1
B	<b>Cleat Wood</b>	<b>2</b>
	<b>HARDWARE</b>	
C	Crew	<b>6</b>
D	<b>Plastic Plug</b>	<b>6</b>

## PART LIST

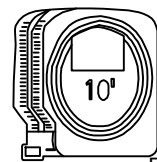
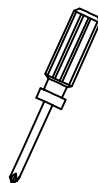
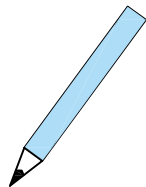
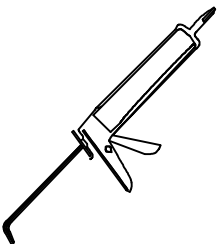


**A**



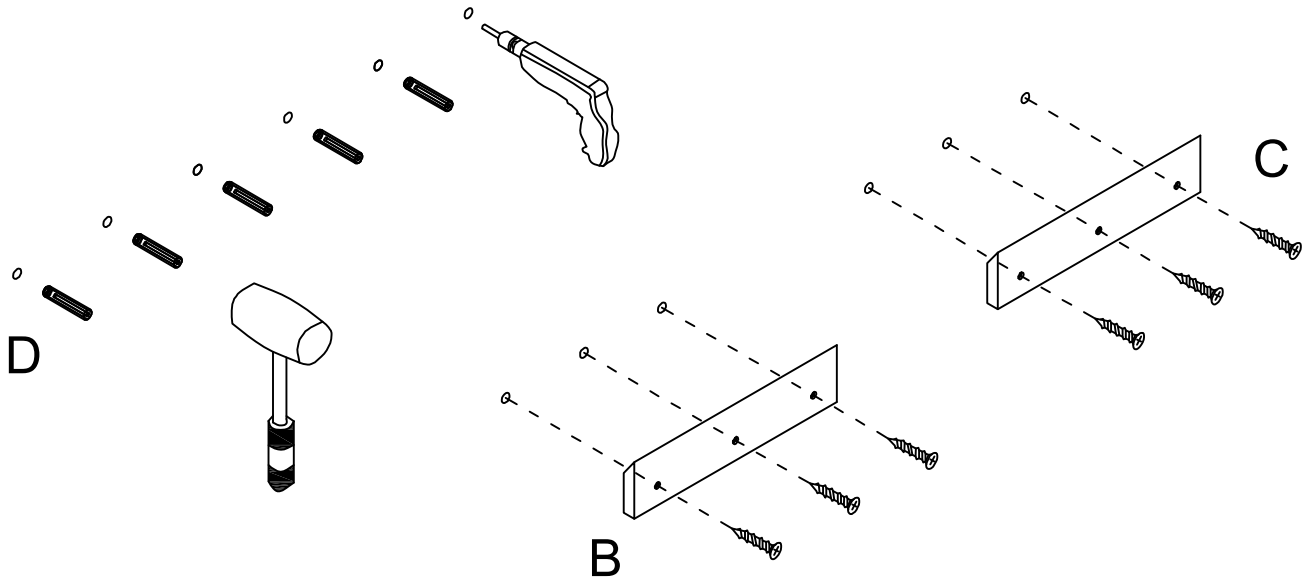
**B**

## TOOLS REQUIRED (NOT INCLUDED)

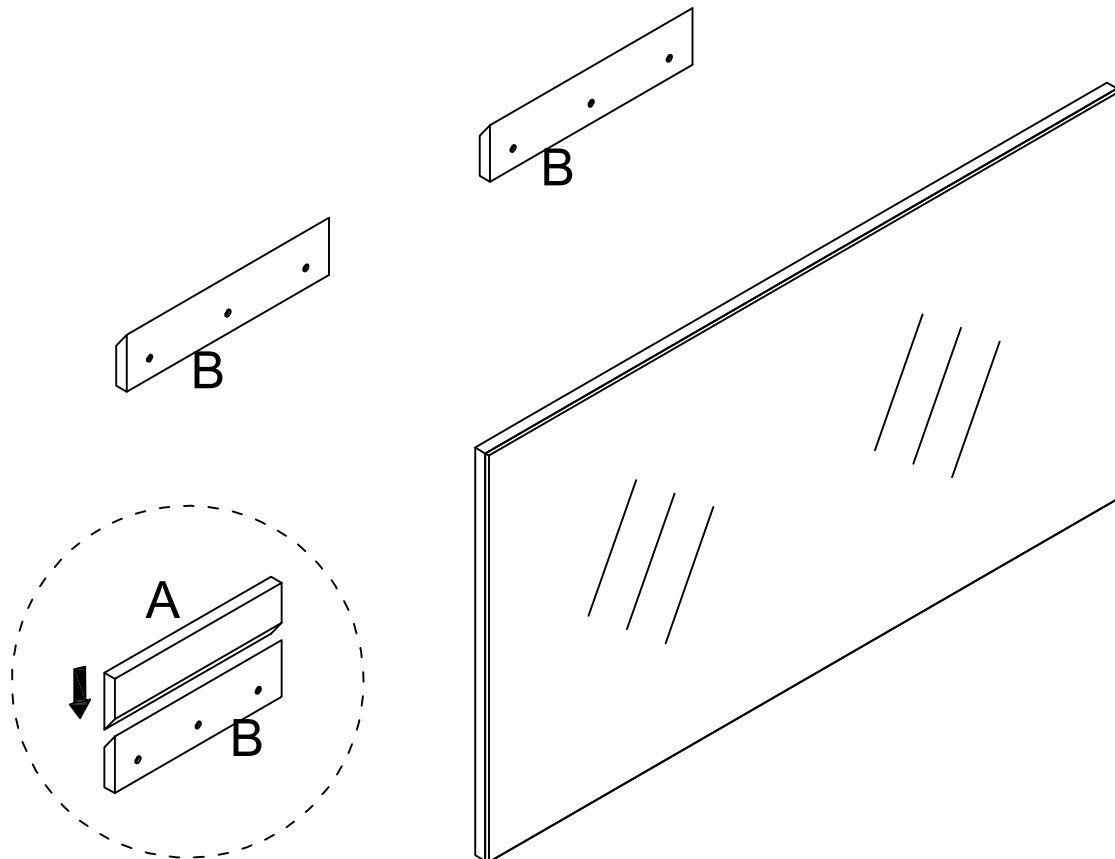


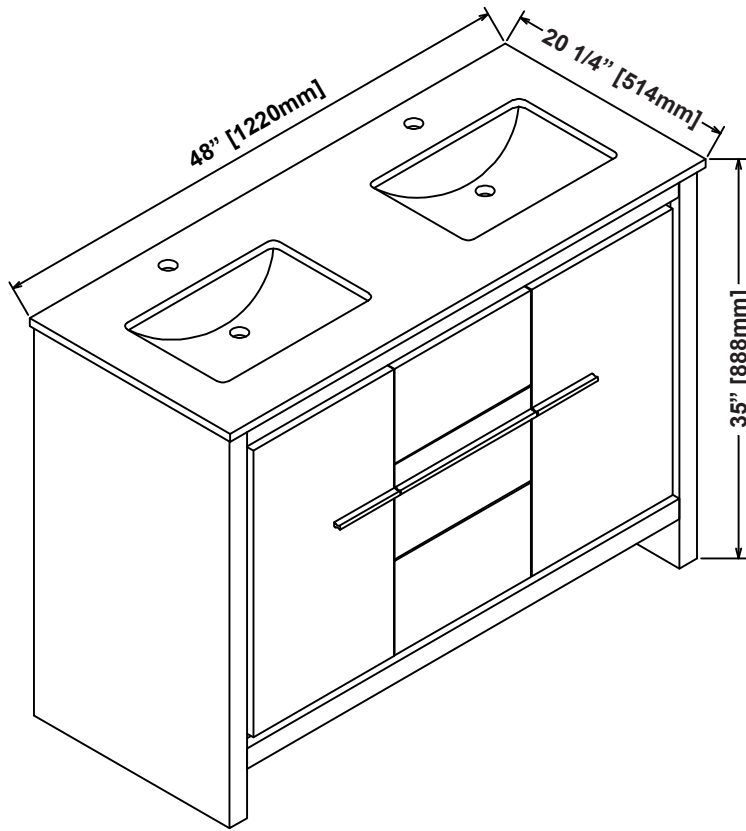
# INSTALLATION

**A**

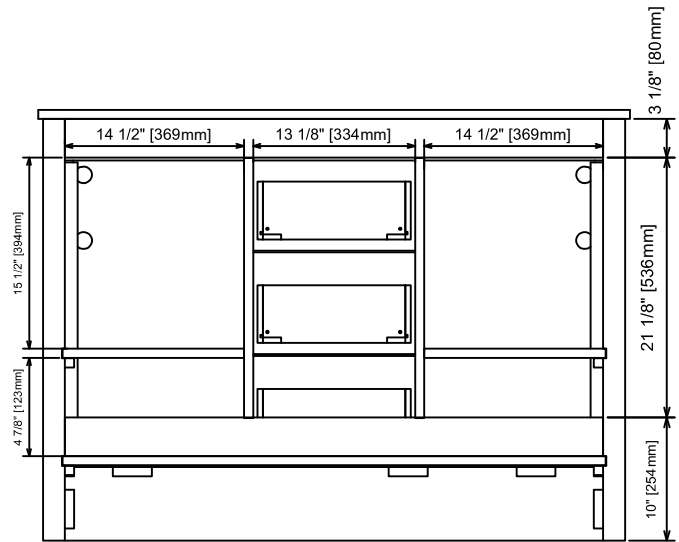
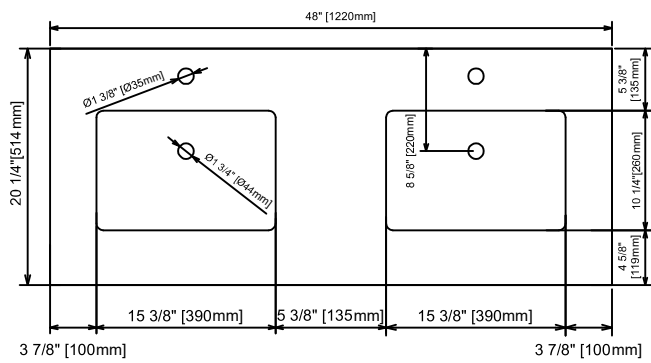


**B**

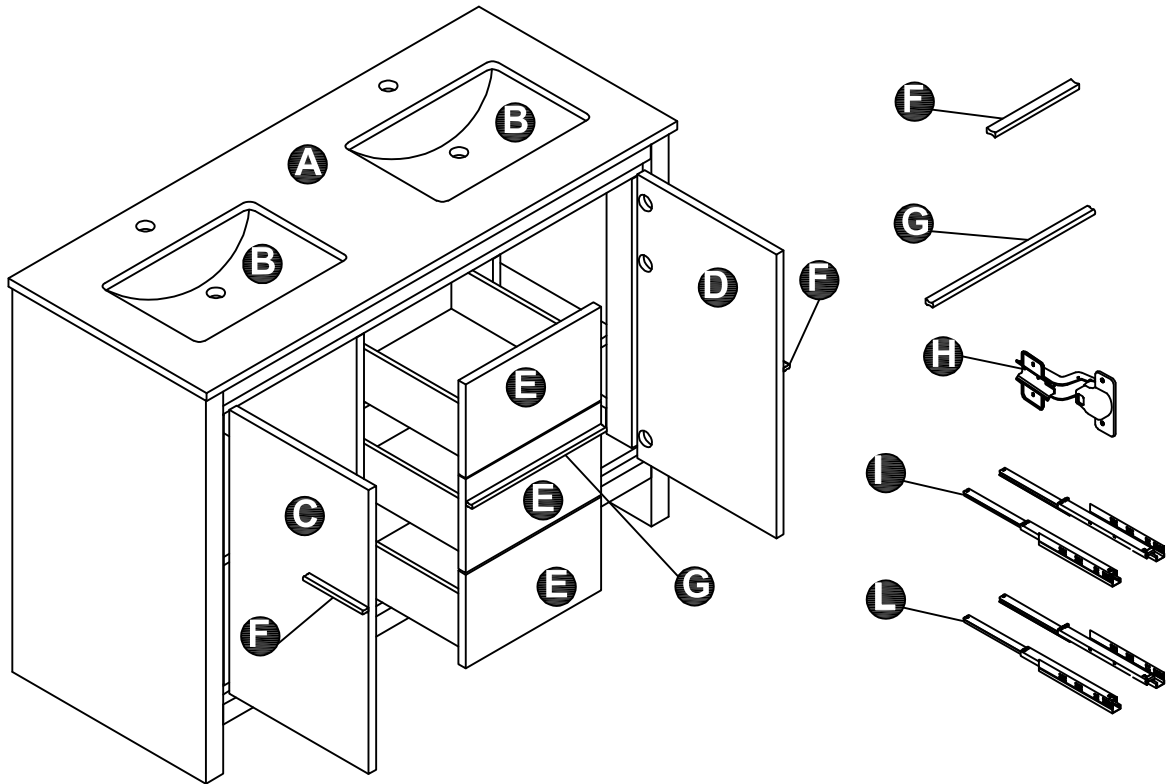




## DIMENSIONS



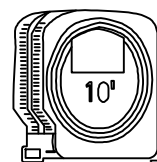
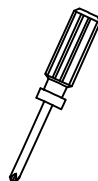
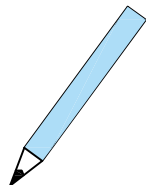
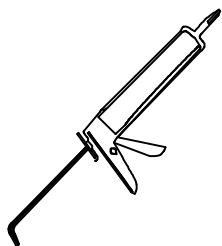
## PART LIST



PART	DESCRIPTIONS	QUANTITY
A	Countertop	1
B	Basin	2
C	Door Left	1
D	Door Right	1
E	Drawer	3

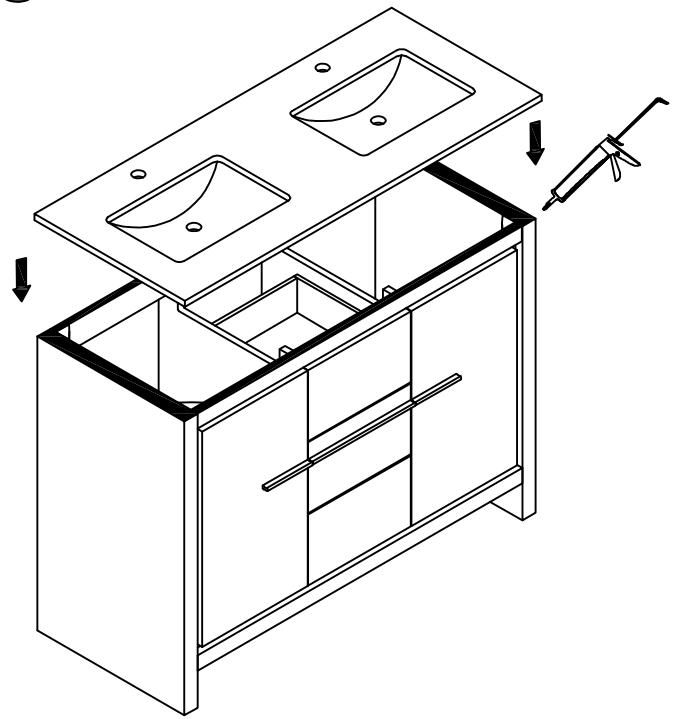
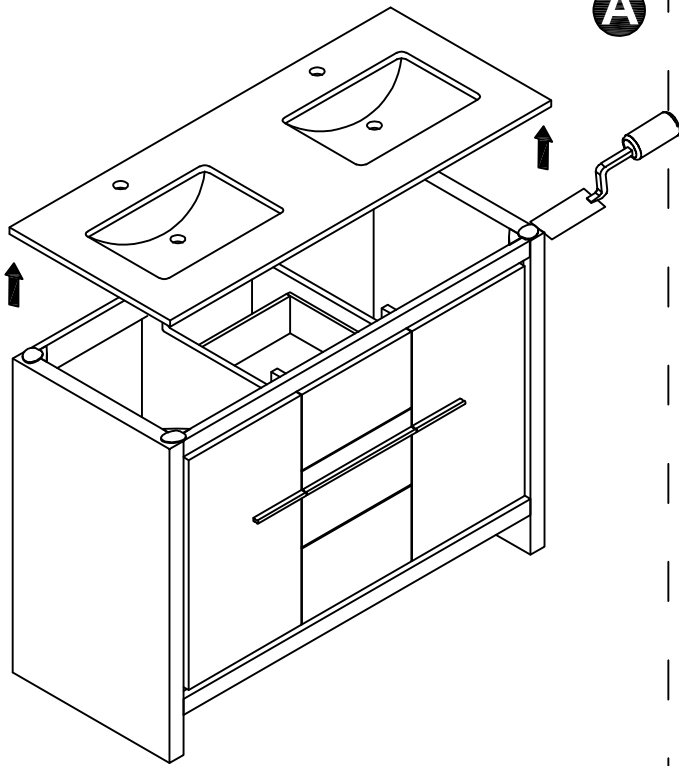
PART	DESCRIPTIONS	QUANTITY
F	Handle	2
G	Handle	1
H	Hingle	6
I	Drawer glides ( Midd)	1
L	Drawer glides (Push)	2

## TOOLS REQUIRED (NOT INCLUDED)

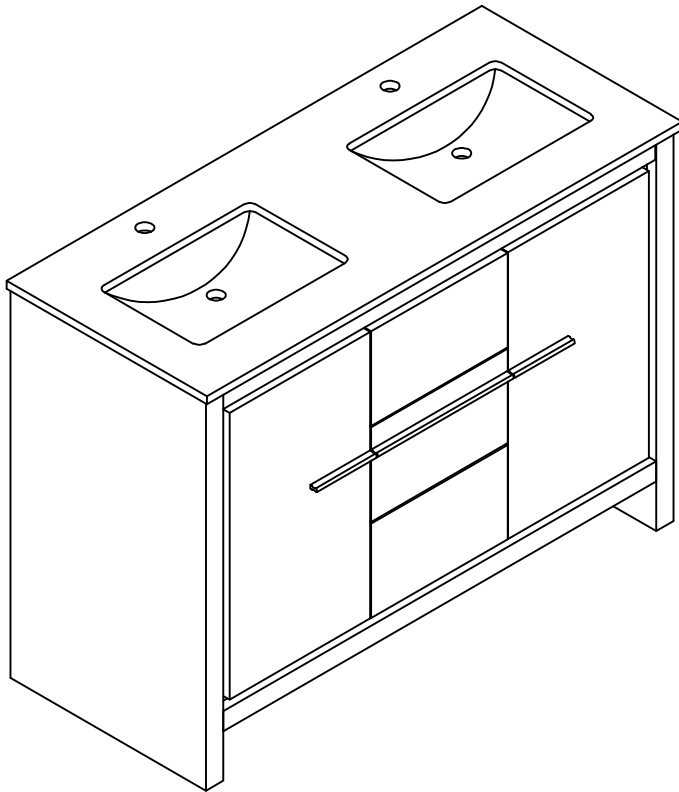


# INSTALLATION

**A** **B**



**C**

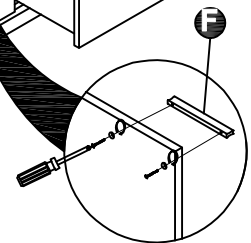
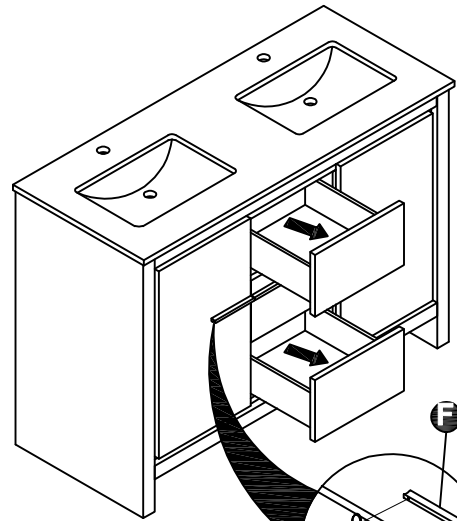
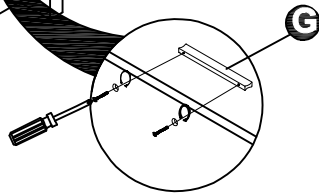
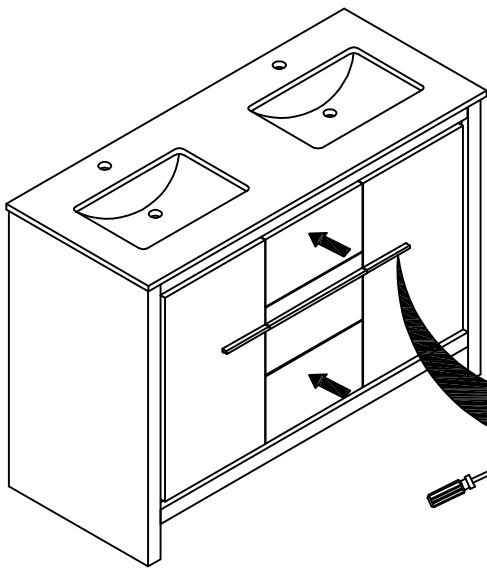


**24!**



# DRAWER

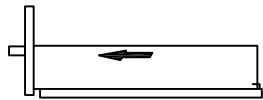
**A**



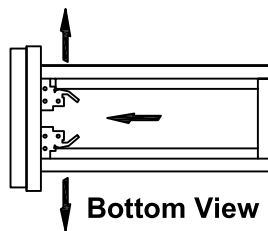
**1 Push Open / Close Drawer**

## REMOVE

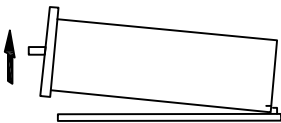
**1**



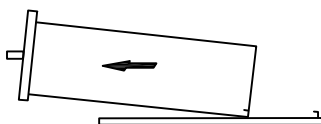
**2**



**3**

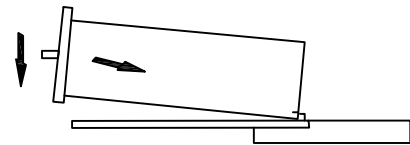


**4**

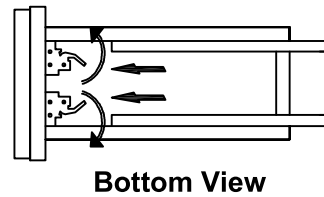


## INSTALL

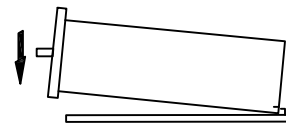
**1**



**2**



**3**



**4**

