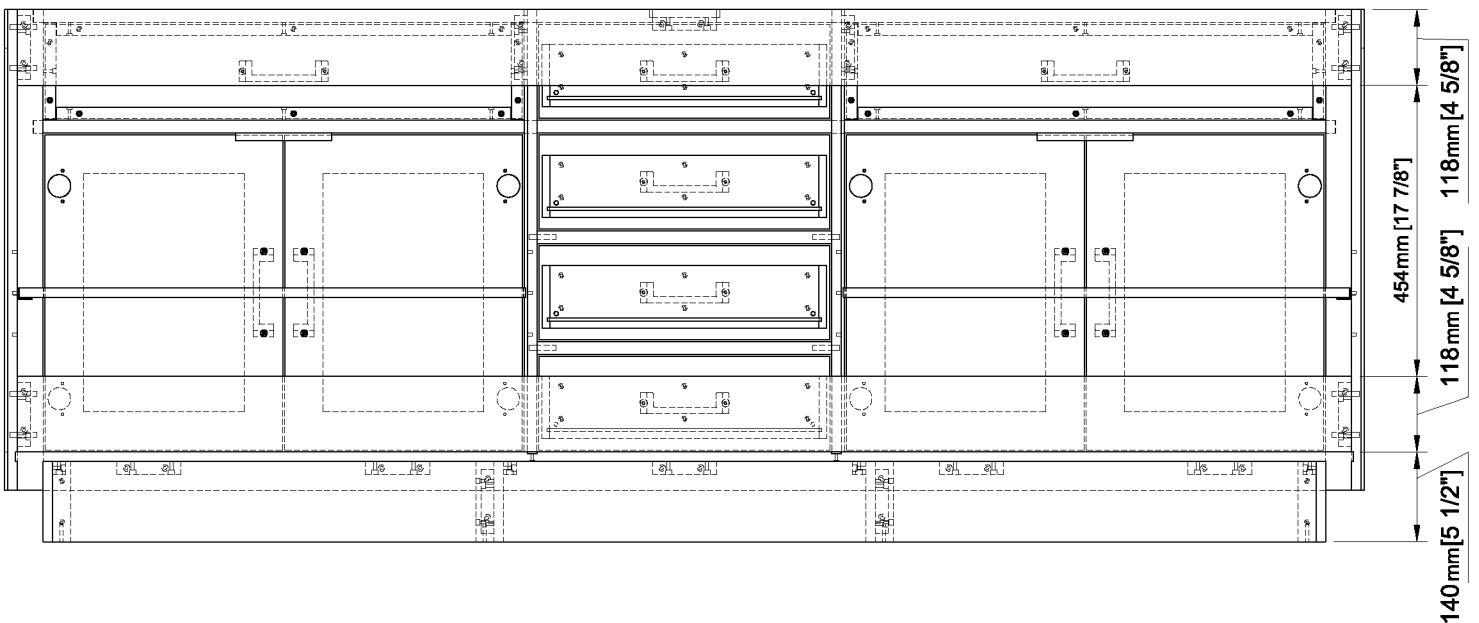
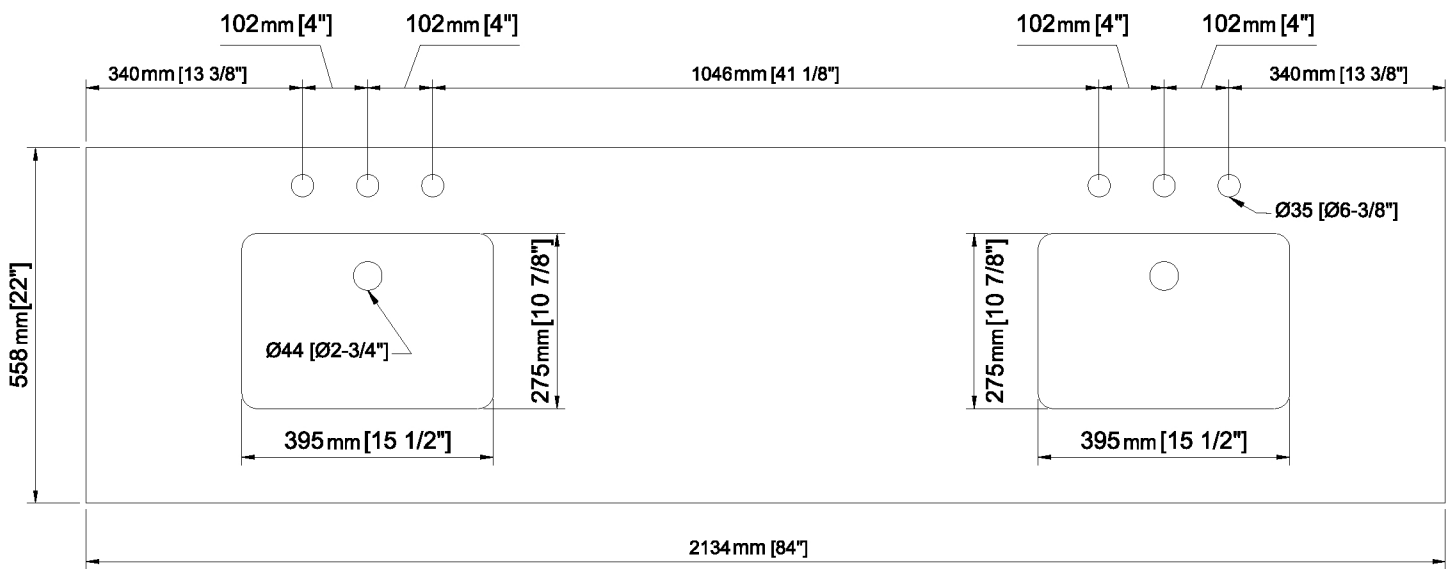
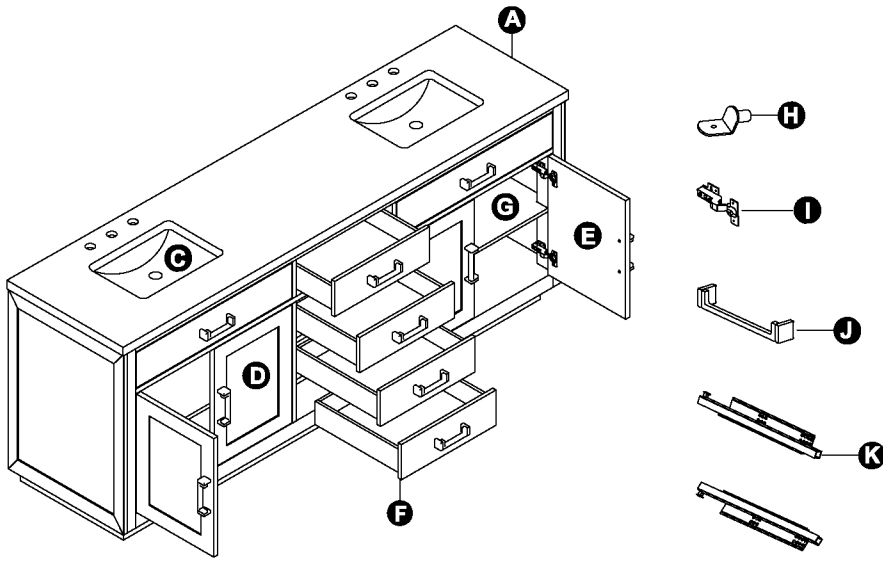


DIMENSIONS

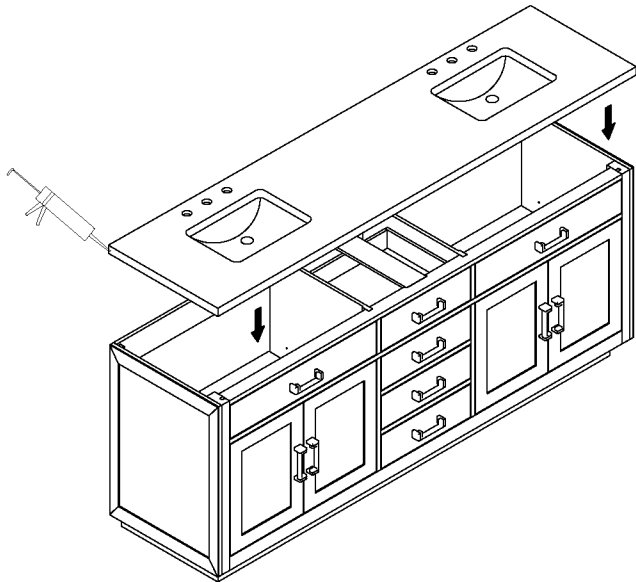




PART #	DESCRIPTION	Q'TY
A	Countertop	1
B	Backsplash	2
C	Basin	2
D	Door (left)	2
E	Door (right)	2
F	Drawer	4
G	Adjustable Shelves	2
H	Shelf pin	8
I	Hinge (door)	8
J	Pull	10
K	Drawer glides	4

INSTALLATION

Ⓐ



TOOLS REQUIRED (not supplied)

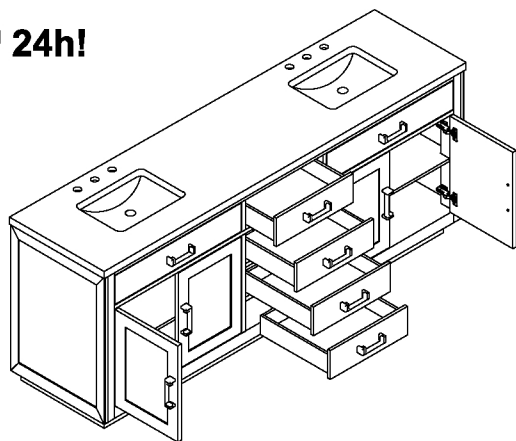


#1

INSTALLATION

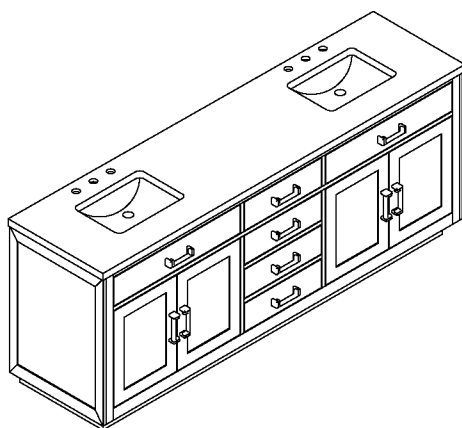
A

24h!



#2

DRAWER



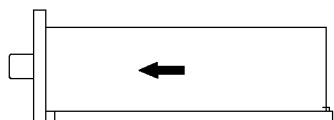
REMOVE

INSTALL

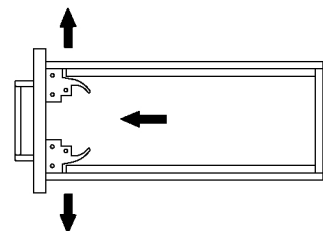
B

C

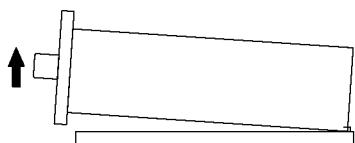
1



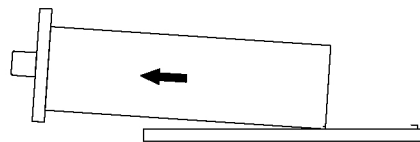
2



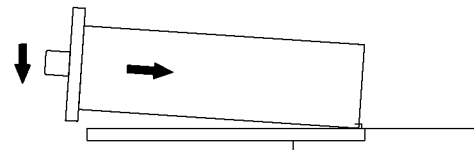
3



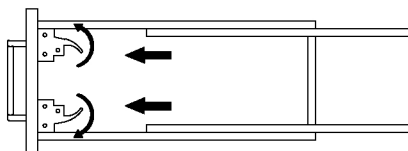
4



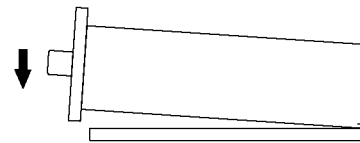
1



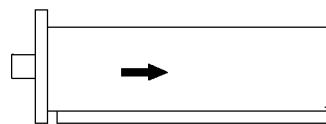
2



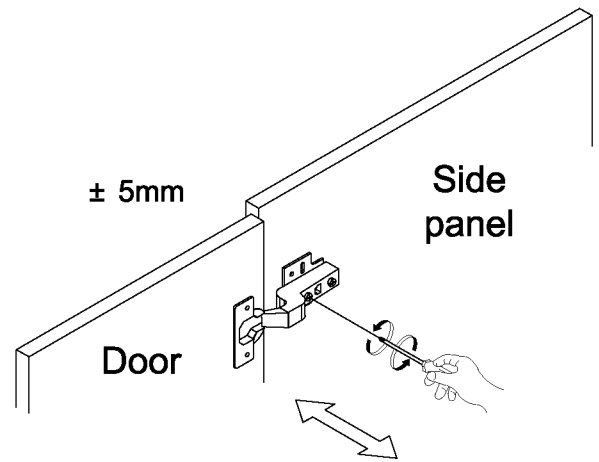
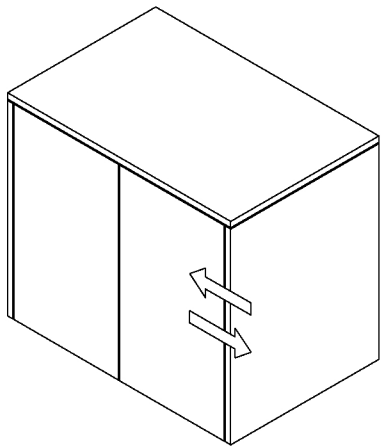
3



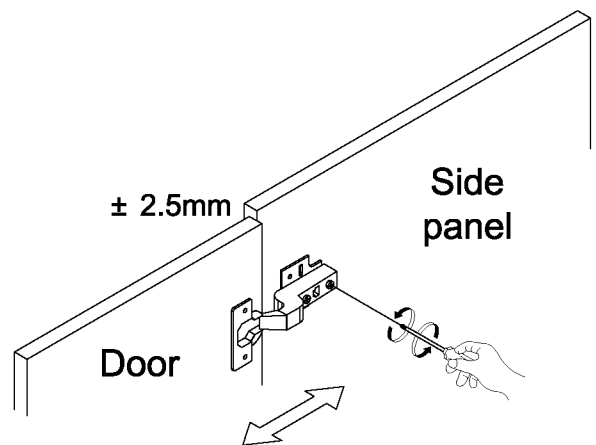
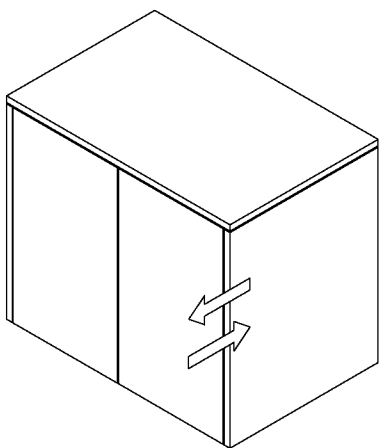
4



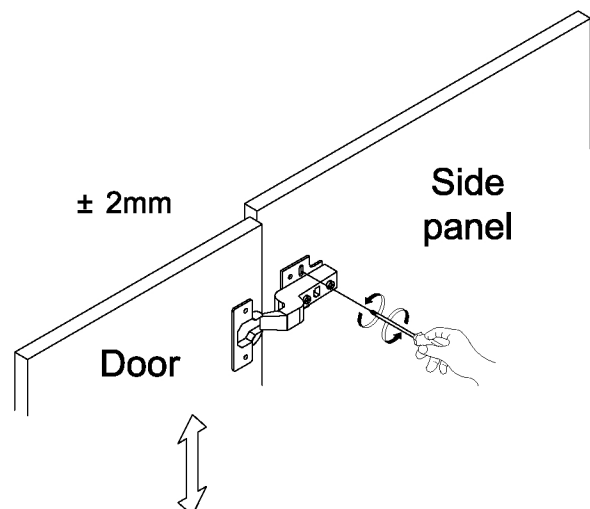
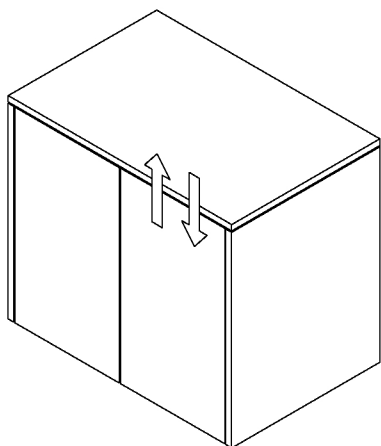
Left and right adjustment.



Front and back adjustment.



Up and down adjustment.



CARE INSTRUCTIONS

Handling a Countertop

When moving a stone countertop, please consider the following:

- The stone should be right side up in the horizontal position.
- Ensure there are multiple individuals with necessary physical capabilities required to lift heavy, oversized objects.
- Perform the lifting and lowering actions slowly, while engaging your knees and using leg strength.

Italian Carrara Marble

Each countertop is cut from a distinctive slab of marble. Variances may occur in streaks, veins, markings, or spread of colors. Note that these are not defects, as no two stones are identical, you should consider this a characteristic trait of your one of a kind countertop.

Quartz

Considered as one of the toughest minerals on earth, quartz exhibits superior properties through its durability, strength, and resistance to scratches and substances. Due to its non-porous nature, the preservance of the stones health requires no sealant or finishes.

Maintenance and Care

Your countertops will require some care to maintain the desired luxurious look over time. Marble stones are porous by nature, making them suscesptible to staining. While we take extra care during our finishing and sealing processes, please be sure to avoid the use of any chemical cleaners, acidic solutions, abrasive textures, or any products that contain lemon, vinegar, or wine.

- When a spill occurs be sure to blot the affected area using a clean cloth dampened with warm water. If necessary, use a mild amount of dishwashing detergent or a stone soap. Thoroughly rinse the soap, then dry with another cloth.
- Cleaning daily with warm water will promote the health and appearance stone.
- Use a soft cloth to wipe away any dust buildup.
- Use a soft cloth to dry any water buildup.
- Use mats underneath and hard/sharp objects to avoid chipping and scratches.
- Avoid placing hot objects directly on the stone.
- Avoid the use of abrasive textures, chemical cleaners, acidic solutions, or any products containing lemon, vinegar, or wine.
- Reapplication of finishes and sealants of marble once a year will ensure longevity.